

Owner's Manual Pressurized Drying System (PDS-12)

Caution! Read These Instructions Before Operation and Save



Specifications

Model	PDS-12
Voltage/Frequency	115 V ~ 50Hz
Amperage	12 A
Tubing Length	100 Feet / 30.5 m
Tubing Diameter	ID: 1/3 inch (8 mm) OD: 1/2 inch (12 mm)

Cautionary Note:

Atmospheric dust and carbon particles from the motor brushes may be introduced through the hoses, leaving a black residue. Please be advised that all brass air outlets are live. Any 2 or more unused air outlets should have the provided tubing connected to each other as a plug-off system, minimizing carbon residue that may discolor light colored carpeting.

GENERAL SAFETY WARNINGS

Never restrict airflow to the inlet. This will cause it to overheat and possibly catch fire.

Ensure that children do not have access to the equipment. Keep small children and animals away from the intake vent. Strong suction may cause severe injury.

- **DO NOT** block air output with anything other than the supplied plug-off system.
- **DO NOT** block the drying nozzles or connect the nozzles with unused hoses.
- **DO NOT** introduce liquids or flammable materials into the intake.
- When using any electrical equipment, basic precautions should always be followed.
- **NEVER** operate electrical equipment in standing water.
- **NEVER** service or clean this unit while it is plugged in.
- **NEVER** sit or stand on the unit or use as a shelf.
- **NOT** intended for outdoor use
- **DO NOT** disconnect the unit by pulling on the cord. Grasp the plug firmly and pull it out of the wall socket or power receptacle.
- **DO NOT** operate the unit with a cut or frayed power cord.
- **To reduce** the risk of fire or electric shock, **DO NOT** use this machine with any solid-state speed control device.
- Always use a grounded outlet.
- **DO NOT** use when you are tired, distracted or under the influence of drugs, alcohol or medication.
- **DO NOT** handle plug with wet hands.
- **DO NOT** leave device plugged in when not in use.
- Store this equipment indoors; **DO NOT** expose to harsh weather.
- Use **ONLY** Manufacturer's recommended attachments.
- **DO NOT** pull or carry by the cord, use the cord as a handle, close doors on the cord, or pull the cord around sharp edges.
- **DO NOT** run over cord.
- Keep cord and housing away from heated surfaces.
- Turn the unit off before unplugging.
- Use **ONLY** as described in this manual.
- **DO NOT** place mouth or other body parts over the intake holes.

OPERATING INSTRUCTIONS

- (1) Check the PDS-12 intake vent and surrounding workspace for anything that may potentially block the intake before plugging in and operating the unit.
- (2) Set the machine to desired position for operation.
- (3) Cut tubing to the desired length and attach by inserting into the air outlet fittings.
- (4) Drill a 1/2 inch hole in the base of the wall to be dried, and insert tubing.
- (5) Plug the power cord into a GFCI outlet.
- (6) Do not use an extension cord in conjunction with the standard power cord.

Toubleshooting		
SYMPTOM	PROBLEM	SOLUTION
Unit will not turn on	Not plugged in	Plug machine in proper outlet
	Switch is worn	Replace Switch
	Tripped circuit breaker	Reset Breaker
	Short in power cord	Replace power cord or replace cord end
	Tripped motor thermal switch	Unplug machine, cool machine down and plug in again
PDS-12 is making strange noises	Motor bearing is worn	Replace motor
Motor runs but no airflow detected	Intake vent is obstructed	Turn off PDS-12. Remove obstruction. Restart motor
Motor stops running	Intake vent is obstructed	Remove obstruction. Allow motor to cool. Motor will start automatically.
	Motor brushes worn	Motor brushes are normal wear items and are not warrantied. They may be purchased for a nominal cost through your Viking distributor. Average brush life is 1200-1500 hours or 50/24hour days.

WARRANTOR:

VIKING EQUIPMENT COMPANY, INC. /
XPOWER MANUFACTURE, INC.
668 S. 6th Ave.,
City of Industry, CA 91746 USA
Toll Free: (800)-252-5201

WARRANTY AND LIMITATION OF LIABILITY

Viking Equipment Co., Inc. / XPOWER Manufacture, Inc. (the "**Company**") warrants to the first end-user purchaser that the equipment and parts thereof, when shipped, will be free from defects in materials and the **Company's** workmanship. If any such defects exist or later appear, the Company shall provide prompt remedial action as stated herein, to correct the defect.

The Company shall have no obligation or liability under this **Warranty** unless the customer has obtained a Return Material Authorization (RMA). To get an RMA you must present proof of purchase, by the use of the original sales receipt, Internet Product Registration, or other reasonable and reliable means. To obtain an RMA, call Viking Equipment Company / XPOWER Manufacture at **(800) 252-5201** and ask for the Customer Service Department, which will then issue an RMA number and will arrange for repair or replacement, at our option, according to the following schedule:

This warranty covers Viking Pressurized Drying Systems (PDS-12).

Year One – 100% labor and parts (all components other than those noted below).

Year Two – Labor only

Year(s) Three through Five – Only materials and workmanship of the housing are covered

Motor Brushes, Hoses, Brass Barb fittings, gaskets and other wear items are not warrantied.

Warranty service shall only be performed by a service provider authorized by the **Company**.

Freight to the **Company** is the responsibility of the end-user. The end-user is responsible for normal care and proper return packaging.

Equipment or Parts thereof, manufactured by others are warrantied hereunder only to the extent of such manufacturer's warranty to the **Company**.

Since after purchase, the Equipment and Parts thereof are under the sole control of the Purchaser, this Warranty is subject to, and shall be applicable only if, the following conditions are met:

- a. The **Company's** instructions as to usage, operation and maintenance have been followed;
- b. The Equipment and Parts thereof, have been used under normal indoor operating conditions.
- c. The Equipment and Parts thereof have been correctly operated and maintained and have not been damaged by misuse, neglect, or accident.
- d. The purchaser has not attempted or performed corrective work or change on the Equipment and/or Parts thereof.
- e. The **Company** shall have received notice (RMA Request) of any defect no later than thirty (30) days after the Purchaser first had knowledge of the same.

This warranty is in lieu of any and all other warranties, express, implied or statutory including, without limitation, warranties of merchantability and fitness for a particular purpose or use.

LIMITATION OF LIABILITY

THE COMPANY SHALL HAVE NO LIABILITY WHATSOEVER IN ANY EVENT FOR PAYMENT OF ANY INCIDENTAL OR CONSEQUENTIAL DAMAGES, INCLUDING, WITHOUT LIMITATION, WATER DAMAGE (THE END-USER SHOULD TAKE PRECAUTIONS AGAINST SAME), LOST PROFITS, DELAY, OR LOSS OF USE, OR DAMAGES FOR INJURY TO ANY PERSON OR PROPERTY. BY ACCEPTING THE EQUIPMENT AND/OR PARTS THEREOF, THE FIRST END-USER PURCHASER OF SUBSEQUENT USER AGREES

THAT THE COMPANY SHALL NOT BE LIABLE FOR INDEMNIFICATION OR CONTRIBUTION (IN WHOLE OR IN PART) EITHER EXPRESSLY OR BY IMPLICATION. IF FOR ANY REASON ANY OF THE FOREGOING PROVISIONS SHALL BE INEFFECTIVE, THE COMPANY'S LIABILITY FOR DAMAGES ARISING OUT OF ITS MANUFACTURE OR SALE OF ITS EQUIPMENT OR PARTS, OR USE THEREOF, WHETHER SUCH LIABILITY IS BASED ON WARRANTY, CONTRACT, NEGLIGENCE, STRICT

LIABILITY IN TORT OR OTHERWISE, SHALL NOT IN ANY EVENT EXCEED THE FULL PURCHASE PRICE OF SUCH EQUIPMENT AND PARTS THEREOF.

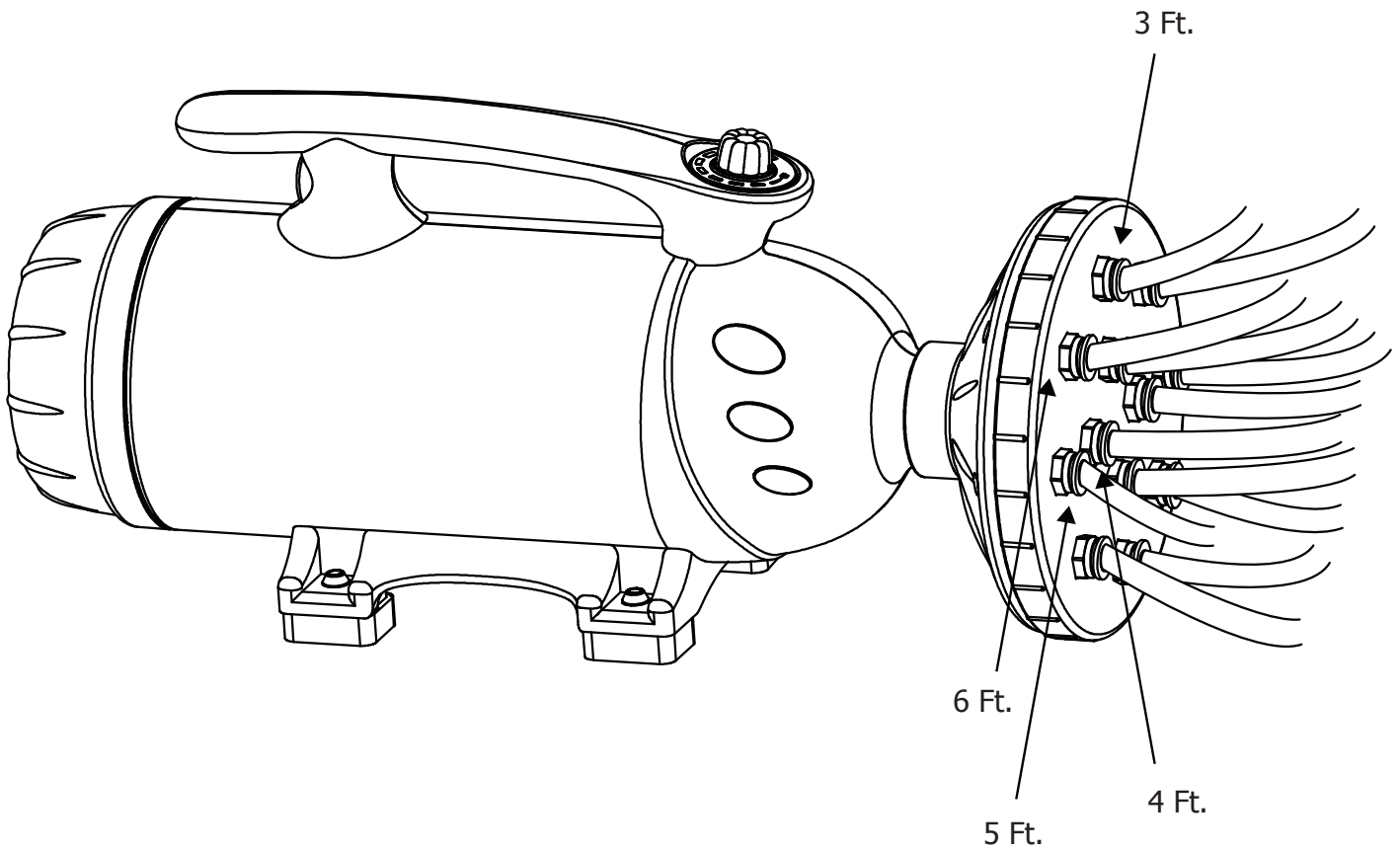
Any action against the **Company** based upon any liability or obligation arising from or under any law applicable to the sale of its Equipment or Parts, or the use thereof, must be commenced within six months after the cause of such action arises.



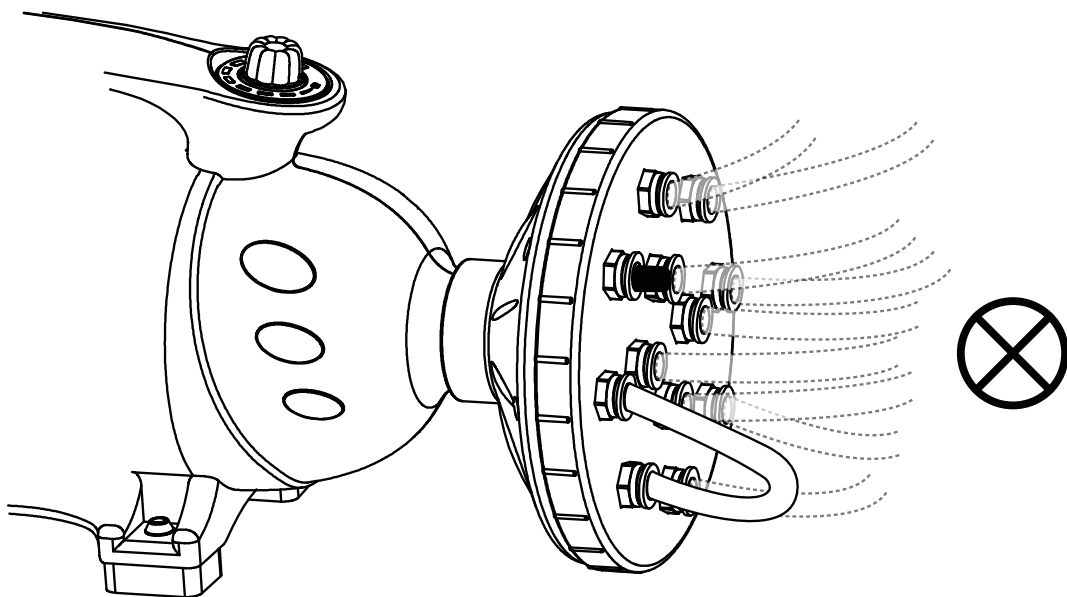
668 S. 6th Ave.,
City of Industry, CA 91746 USA
www.vikingairmovers.com

1-(800)-252-5201
FAX: 1-(626)-285-3302
anaa@xpower.com

Recommendations for using PDS-12



In order to achieve the maximized air pressure for wall drying, VIKING Equipment recommends that the 1/2 x 1/3 inch hose be cut as shown above. Hoses beyond the suggested lengths above may result in a loss of pressurized drying capability.



DO NOT block the drying nozzles or connect the nozzles with unused hoses.