

**Model / Modelo / Modèle:  
XD-85LH, XD-85L2,  
XD-125Li**

(115V 60Hz)

**Low Grain Refrigerant  
Dehumidifier Owner's Manual**

Read and save these instructions

**LGR Deshumidificador  
Refrigerante de Grano Bajo**

**Manual de Usuario**

Lea y guarde estas instrucciones

**LGR Déshumidificateur  
Manuel d'Emploi**

Lisez et gadez ces instructions



**Intertek**

[www.xpower.com](http://www.xpower.com) | 1-(855)-855-8868 | [info@xpower.com](mailto:info@xpower.com)

Index: NA-1-A1  
Edition: 7.1.Final

# Safety Instructions

## **WARNING - READ AND SAVE THESE INSTRUCTIONS BEFORE USING THIS PRODUCT.**

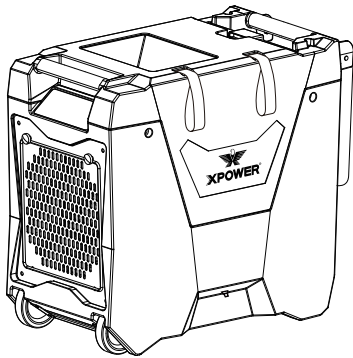
The user of electrical products may create hazards that include, but are not limited to injury, fire, electrical shock. Failure to follow these instructions may damage and/or impair its operation and void the warranty.

- Before operating, remove all packaging material and check for any damage that may have occurred during shipping or any missing items.
- Check household power supply to ensure it matches the appliance's specification.
- **DO NOT** operate the appliance with a damaged cord or plug. Discard or return to an authorized service facility for examination and/or repair.
- Use only with GFCI protected receptacles. Contact a qualified electrician for verification or installation of a GFCI receptacle if necessary.
- **DO NOT** run cord under carpeting. **DO NOT** cover cord with throw rugs, runners, or similar coverings. **DO NOT** route cord under furniture or appliances. Arrange cord away from traffic area and where it will not be tripped over.
- To reduce the risk of fire or electric shock, **DO NOT** use this appliance with any solid state speed control device.
- **DO NOT** touch this appliance or the plug with wet hands or while standing in water.
- **DO NOT** operate the appliance near any pooled water.
- **DO NOT** use the product in areas where gasoline, paint or other flammable goods and objects are used or stored.
- **DO NOT** insert or allow objects to enter any ventilation or exhaust opening as this may damage the appliance and void the warranty.
- **DO NOT** cover the air inlet or outlet on the appliance.
- **DO NOT** direct the air flow at human faces or bodies.
- **DO NOT** allow children to play with this appliance.
- **AUTOMATICALLY OPERATED DEVICE** – To reduce the risk of injury, disconnect from power supply before servicing.
- Remove the power cord from the electrical receptacle by grasping and pulling on the power cord plug-end only, **DO NOT** pull the cord directly.
- **DO NOT** attempt to repair or adjust any electrical or mechanical functions of this appliance, as this may cause danger and void the warranty.
- If the appliance is damaged or it malfunctions, **DO NOT** continue to use it. Unplug the product from the electrical outlet. Refer to troubleshooting guide or contact XPOWER.
- Store in a dry area, away from exposure to sunlight, extreme temperature and humidity, or other extreme environment, when not in use.
- **DO NOT** stack this appliance to more than three units.
- Always grip the trolley handle and keep the unit up when transporting from room to room. **DO NOT** tilt the product on its side or upside down.
- If the dehumidifier was transported tilted on its side or upside down, you must position it upright and wait at least 4 hours before using it again.
- An electronic instruction manual can be obtained through manufacturer's website [www.xpower.com](http://www.xpower.com).

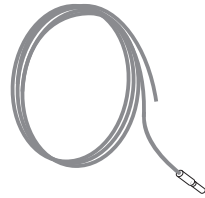
# LGR Dehumidifier Introduction

- XPOWER LGR (Low Grain Refrigerant) Commercial Dehumidifiers are designed to maximize water extraction while combining the highest efficiency in performance and portability.
- Latest technology and a high efficiency extraction process ensures peak performance in even the most challenging environments, such as extreme temperature and low environment humidity.
- With high efficient water removal capacity, the LGR (Low Grain Refrigerant) Dehumidifier allows an extreme dry zone in the working area and water migration to the air from all the surfaces. It is ideal for water damage restoration and industrial applications where maximum air drying performance is needed.

## Items Included



Dehumidifier x 1

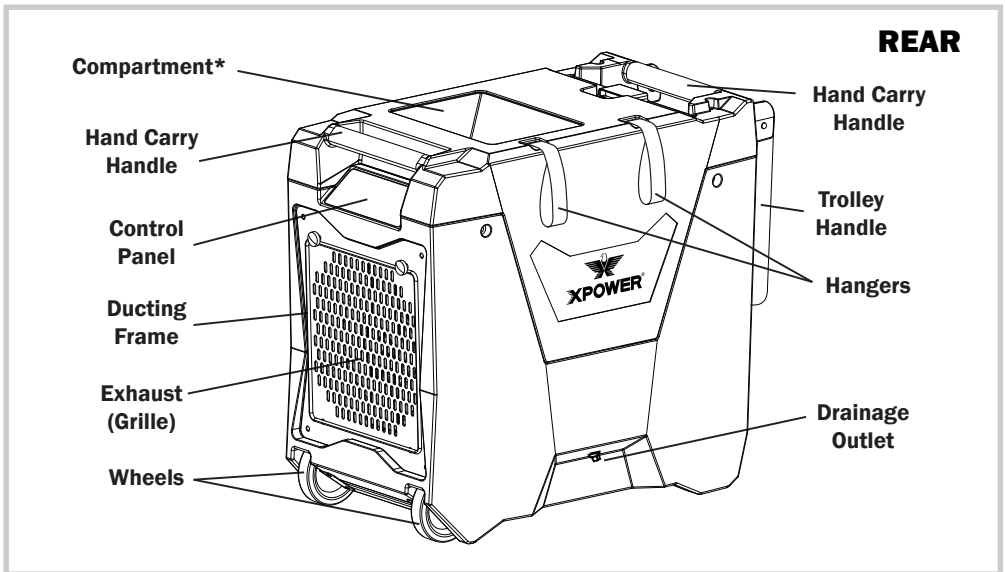
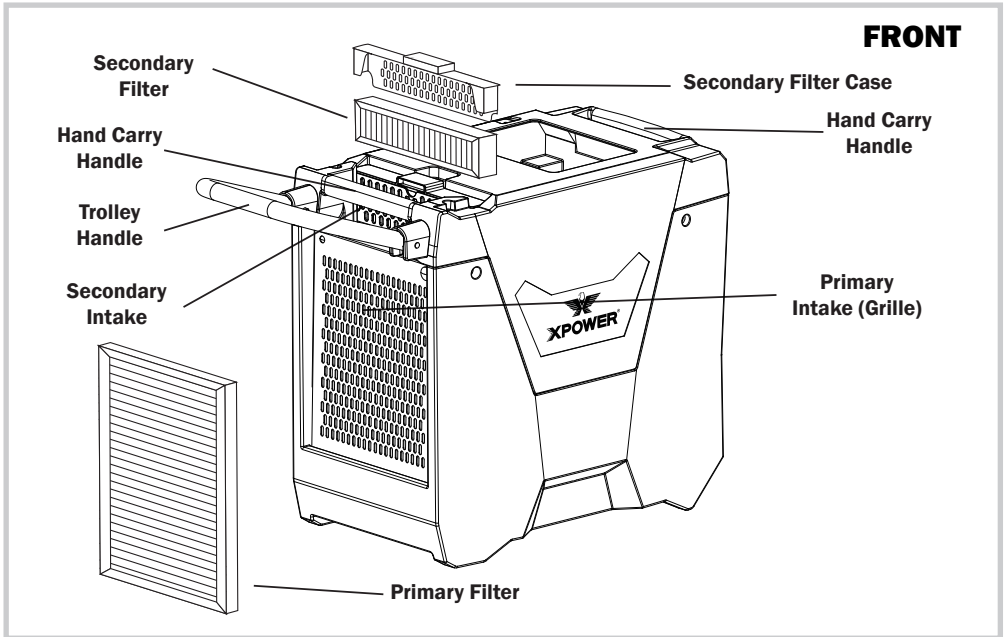


Drain Hose x 1



Owner's Manual x 1

# Parts Description



\* These features do not apply to all models mentioned in this manual.

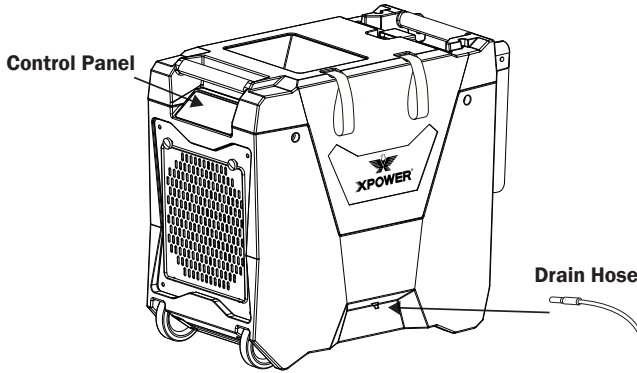


# Installation and Operation Guide

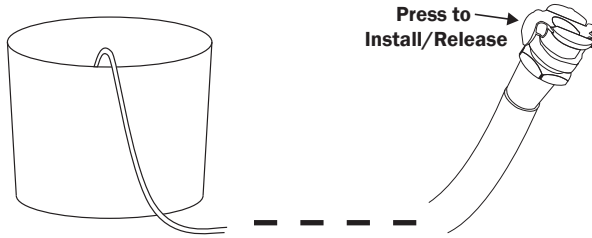
## Selecting a Location (Important)

- **Positioning:** Before using the dehumidifier, place the unit **UPRIGHT** for at least 1 hour before use to allow the refrigerant to stabilize. If the unit was tilted on its side or upside-down during transportation, set the unit **UPRIGHT** for at least 4 hours before use. The dehumidifier must be positioned **UPRIGHT** on a level surface during use.
- **Enclosed Area:** For optimal efficiency, the dehumidifier must be operated in an enclosed area. Keep all doors, windows and other outside entrances to the room closed. Turn off the air conditioning.
- **Air Circulation:** It's suggested to have a constant efficient air circulation inside the area that you are going to work in, for example, setting up a circulation with XPOWER Air Mover combinations.
- **Environment Temperature/Humidity:** The dehumidifier is designed to work in an environment with a temperature of 33 °F to 105 °F (0.6 °C to 40.6 °C) and relative humidity level of 20% and higher. The dehumidifier may not function normally or efficiently if the room temperature and humidity level exceed this temperature and humidity level range.
- **Power Cord and Drain Hose:** The power cord has a length of 10 feet (3.0 meters) and the drain hose has a length of 40 feet (12 meters). Select a location where the power cord can reach the power source and the drain hose can reach the area you want. Please do not lift the drainage hose higher than 16 feet (5 m) above the machine.
- **Inlet and Outlet Orientation:** Also pay attention to the orientation of the air inlet and air outlet. Make sure the airflow won't influence any object nearby the dehumidifier.
- **IMPORTANT:** The effectiveness of the dehumidifier can be influenced by different factors. You should keep any new moisture-laden air away from the working area and allow sufficient enclosed air circulation in the room. You may also find that installing multiple dehumidifiers may be required for larger enclosed areas.

## Drain Hose Installation

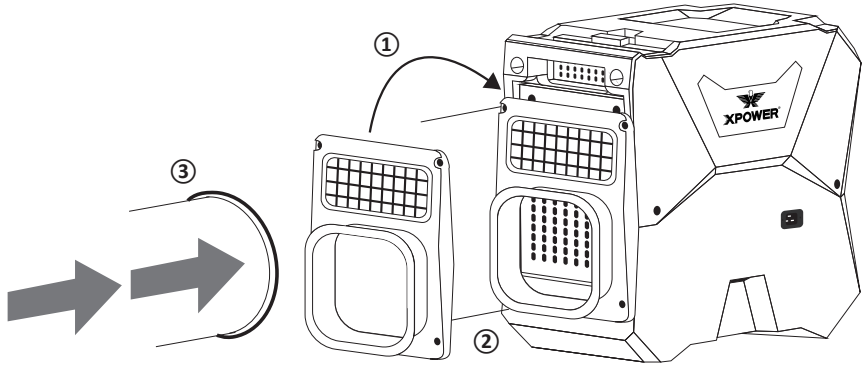


- Attach the drain hose inlet to the drain outlet of the machine.
- The machine's outlet can be found as the graph on the left.



- Please have a separate container to collect the water coming from the other end of the drain hose.

## Extension Setup (Optional)



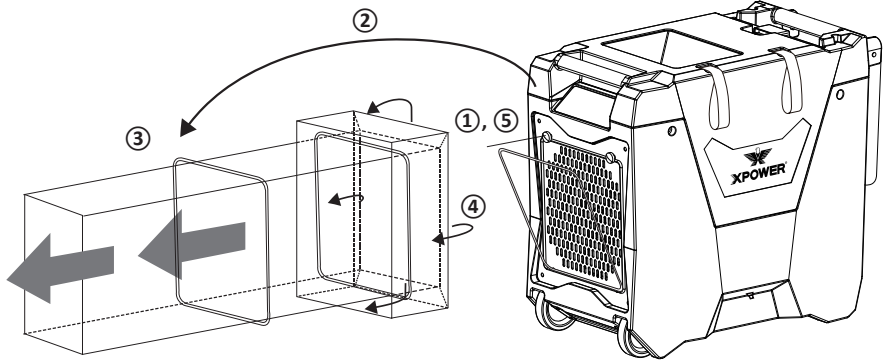
### Intake Ducting\*

- ① Install the intake adapter\*\*.
- ② Screw on the four screws.

- ③ Attach the ducting hose to the intake adapter.

\* For model XD-85LH only.

\*\* The intake adapter is sold separately.



### Exhaust Ducting (Lay Flat)

- ① Screw off the two screws.
- ② Take out the ducting frame.
- ③ Let the ducting hose go through the ducting frame.

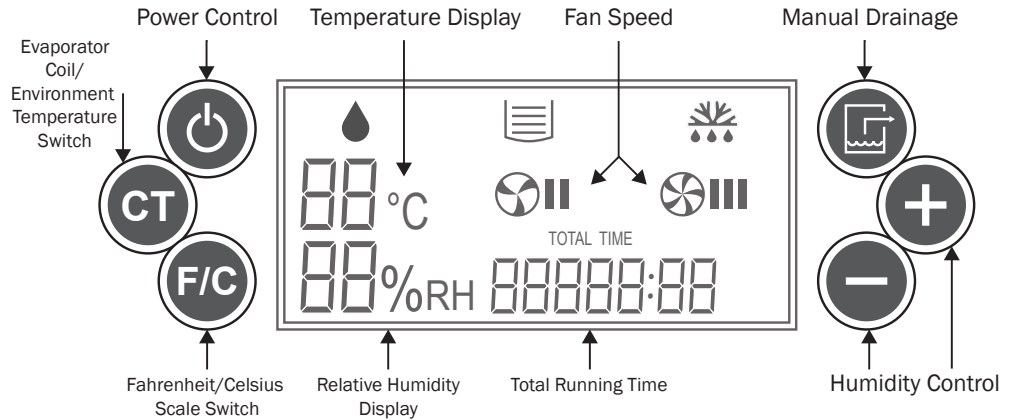
- ④ Turn the ducting hose around the frame to its back.
- ⑤ Reinstall the ducting frame and screw on the two screws.

## Control Panel

### For Model XD-125Li:

Please refer to Quick Start Guide.

### For Model XD-85LH/XD-85L2:



## Buttons

### Power Control

Press to switch the dehumidifier ON or OFF.

### Fahrenheit/Celsius Scale Switch

Press to switch the display of the temperature in Fahrenheit or Celsius scale.

### Evaporator Coil/Environment Temperature Switch

Press to switch the display of the temperature of the evaporator coil or environment.

### Manual Drainage

Press to drain manually. Manual drain will last for 45 seconds. [See Page 11: Drainage (Important)]

### Humidity Control

Tap “+”/“-” to increase/decrease the desired humidity level by 1% increments. Touch and hold to increase/decrease the setting humidity level by 5% per second. The adjustable range is 30% to 90%.

## Information

### Relative Humidity Display

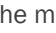

This will show the relative humidity level of the setting or environment. As default, it displays the environment humidity. When adjusting humidity, it will display the setting humidity and blink. After 5 seconds from the last adjustment, it will display the environment humidity again. (See Page 8: Humidity Control)

## Control Panel (Continued)

### Temperature Display °C

This will show the temperature of the evaporator or environment (See Page 8: *Evaporator Coil/Environment Temperature Switch*). When in Celsius scale, °C will be illuminated. When in Fahrenheit scale, °C will turn off. If the temperature to show is higher than 99 °F, the scale will be set to Celsius automatically (See Page 8: *Fahrenheit/Celsius Scale Switch*).

### Fan Speed

This will show if the machine is running on low () or high () fan speed. The dehumidifier will control the fan speed according to the environment temperature and humidity.

### Total Running Time TOTAL TIME


This will show the total running time from the first usage to the current moment. Running time starts to count during the time when the machine turns on. The value can't be reset.

## Indicators

### Defrosting Light

This light indicates the evaporator coil or environment temperature is too low. Frost may start to appear on the evaporator coil. The machine is now defrosting.

### Constant Dehumidification %RH

At the humidity level setting of 30%, if humidity control button “-” is pressed,  will blink on the humidity display. The machine will enter into constant dehumidification mode and won't stop dehumidification as environment humidity changes.

### "OFF" Light

This light indicates the machine is connected to power source and it is now turned off.

### Dehumidification Light

When this light blinks, it indicates the machine is now preparing for dehumidification. When this light stays bright, it indicates the machine is now dehumidifying.

### Drainage Indicator Light

When this light blinks, it indicates the machine is in drainage process. When this light stays bright, it indicates the water tank is full.


### Error Codes

These are error codes. Please refer to Troubleshooting Guide for more information.

### Turn on the dehumidifier

Press the Power Control button to switch on the machine. You may see the dehumidification light is flashing. Please wait for 3 minutes (180 seconds) until the machine completes the startup.

### Record Usage Time

- For model XD-85LH/XD-85L2, write down the starting time  right after the machine starts, if you want to calculate the usage time.
- For model XD-125Li, refer to Quick Start Guide.

### Set the desired humidity level

- Tap the humidity control button to adjust the setting humidity level. The default humidity setting is 30%. The adjust range is from 30% to 90% (See Page 8: *Humidity Control*). The machine will try to match the setting humidity level and maintain it.
- For model XD-85LH/XD-85L2, if you want the machine to work constantly, please adjust the humidity level down to 30%, and then press “-” (See Page 9: *Constant Dehumidification*). Tap “+” to exit constant dehumidification mode.
- For model XD-125Li, refer to Quick Start Guide to enter or exit constant dehumidification mode.
- If the dehumidifier loses power accidentally, when turned on again, the dehumidifier will work on the last known configuration.

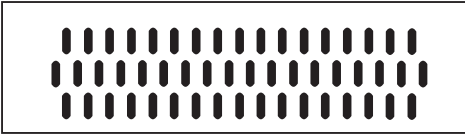
### Dehumidification

- When the machine is dehumidifying, the dehumidification light goes on.
- You may see the dehumidification light is flashing. That means the dehumidification temporarily pauses or the environment humidity has reached the setting level. Please wait until the machine completes the startup or until the humidity level rises up again.
- The dehumidifier will control the fan speed according to the environment temperature and humidity.

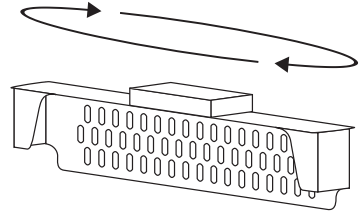
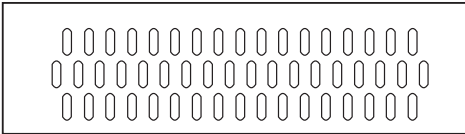
### Defrosting

- When the evaporator coil or the environment temperature is too low, frost may appear on the evaporator. This will cause a lower effectiveness of the dehumidification. The machine will start defrosting until the temperature goes back to normal.
- When the machine is defrosting, the dehumidification pauses. The dehumidification light goes off, and the defrosting light will go on.
- Do not turn off the machine during defrosting process.

**Secondary Intake (Opened)**



**Secondary Intake (Closed)**



**Secondary Filter Case**


**⚠ Important: Close the secondary intake when environment temperature falls under 68 °F (20 °C) or in contaminated environment for better efficiency.**

To close the secondary intake, remove the filter case, rotate and re-install.

### **Drainage (Important)**

- Press the Manual Drainage button to process drainage manually. It will last for 45 seconds and won't stop dehumidification or defrosting process.
- If the water tank is full or not positioned horizontally, the water tank full indicator light will go on. Any dehumidification or defrosting process will pause and the machine will automatically process drainage for 45 seconds. Afterwards, if the water tank is still detected full, an error code will be displayed (See *Page 9: Error Codes* or *Page 14: Troubleshooting Guide*).
- When turned off, the machine will automatically process drainage for 60 seconds. Please wait until this process completes.
- Please do not lift the drainage hose higher than 16 feet (5 m) above the machine.

### **Calculate the usage time**

- For model XD-85LH/XD-85L2, write down the ending time  right before the machine shuts down. Compare the starting time and the ending time to calculate the usage time.
- For model XD-125Li, refer to Quick Start Guide.

## Start Your Job (Continued)

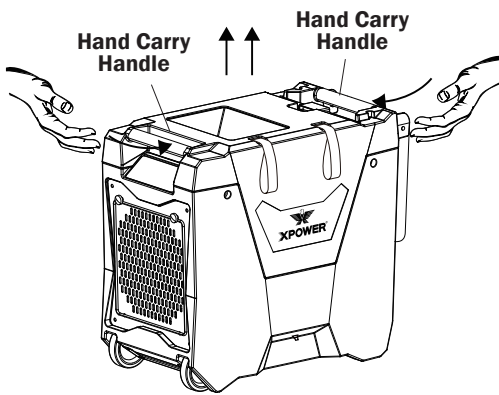
### Turn off the dehumidifier

Press the Power Control button to switch off the machine. When turned off, the machine will automatically process drainage for 60 seconds. Please wait until this process completes.

## Transportation

### Before transportation, you should always:

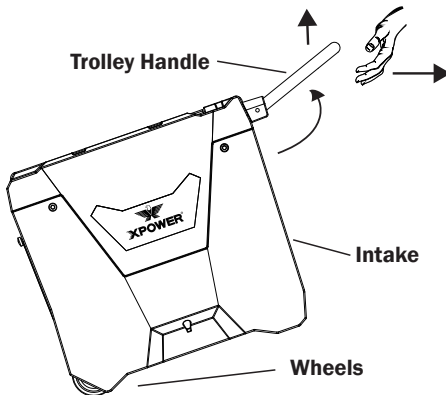
- Process a drainage manually. Otherwise the water may spill and enter in core parts of the machine during transportation. This may also void the warranty.
- Disconnect the machine from the power source.
- Remove all the extension setup and uninstall the power cord and drain hose.



### Lift with Hand Carry Handles

- Lift the dehumidifier with the two hand carry handles on the two ends on the top.
- Be aware of the weight of the machine.

**⚠ WARNING:** do not use the hanger as hand carry handles.



### Transport with Trolley Handle

- Lift the dehumidifier on the wheels with the trolley handle.
- Pull to transport with the trolley handle.



# User Maintenance Instructions

Frequent maintenance is recommended on this appliance. Failure to follow the maintenance instructions may cause failure of the appliance and void the warranty.

## Before maintenance or storage, you should always:

- Process a drainage manually.
- Disconnect the machine from the power source.
- Remove all the extension setup.

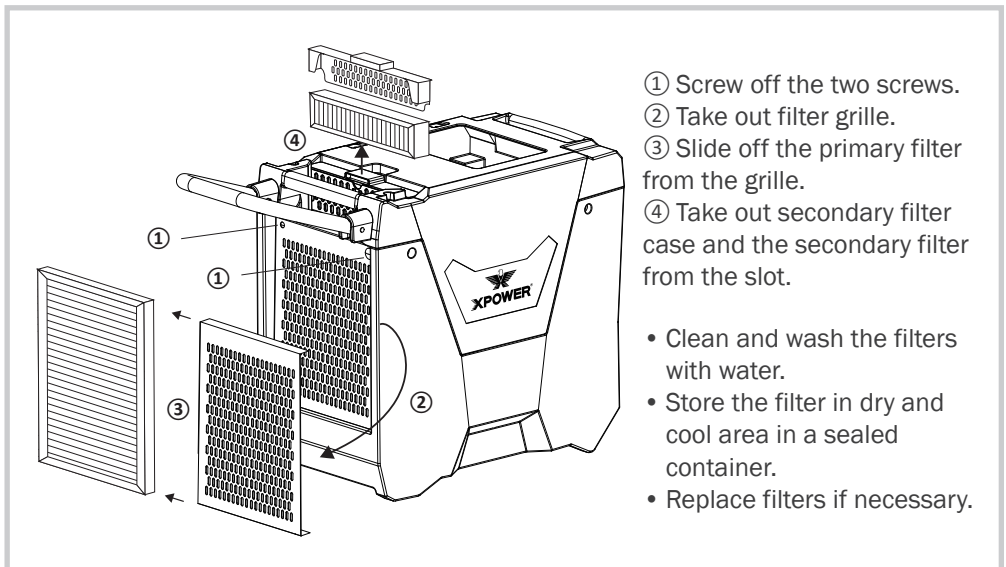
## Clean the surface

- Use a damp cloth to wipe the surface of the housing. Do not clean the unit with water directly.
- Do not clean the fins of the evaporator and condenser by yourself.

## Store the machine

- Store the appliance in a dry and cool indoor place, away from direct sunlight as well as chemicals and out of reach of children.
- **IMPORTANT:** make sure the machine is levelly positioned.
- If you want to stack this appliance, stack them on their tops with the same orientation.
- Do not stack more than three units of this appliance.

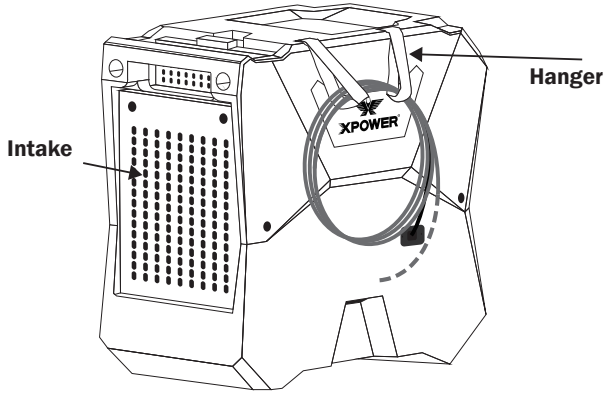
## Store or Replace the Filters



- ① Screw off the two screws.
- ② Take out filter grille.
- ③ Slide off the primary filter from the grille.
- ④ Take out secondary filter case and the secondary filter from the slot.

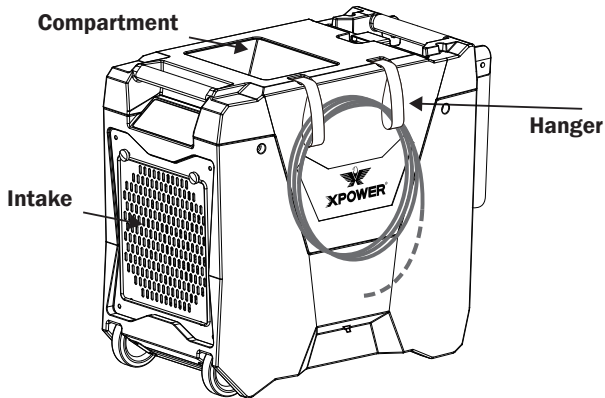
- Clean and wash the filters with water.
- Store the filter in dry and cool area in a sealed container.
- Replace filters if necessary.

## Organize the Power Cord and Drain Hose



### For XD-85LH:

- Remove the drain hose from the outlet of the machine.
- Open the velcro on the hangers.
- Hang the drain hose and power cord on the hangers and close the velcro.



### For XD-85L2/XD-125Li:

- Remove the drain hose from the outlet of the machine.
- Open the velcro on the hangers.
- Hang the drain hose on the hangers and close the velcro.
- Store the power cord or the drain hose in the compartment.

# Troubleshooting Guide

PROBLEM	POSSIBLE CAUSE	SOLUTION
Dehumidifier does not start	No electricity.	Check for power supply.
	The power cord is not properly plugged in.	Remove and reconnect the power cord.
Dehumidifier runs but humidity level does not decrease	The dehumidification system is within startup process.	Wait for 3 minutes (180 seconds) until the dehumidification light stops blinking.
	The humidity level setting is too high.	Decrease the humidity level setting.
	The working area is not enclosed.	Make sure the area is tightly sealed.
	There are other sources of humidity in the room.	Remove these sources or wait until they completely volatilize.
	The humidity level has reached the setting level.	Decrease the humidity level setting, set to constant dehumidification mode, wait until the humidity level rises up again.
Dehumidifier runs but humidity level does not decrease	The machine was tilted and wasn't positioned upright for enough time before use.	Position the machine upright on a level surface and wait for at least 4 hours before next use.
	The air filter or air inlet/outlet is blocked.	Remove blockage.
	The environment temperature is too low/high or the humidity level is too low.	The dehumidifier is designed to work in an environment with a temperature of 33 °F to 105 °F (0.6 °C to 40.6 °C) and relative humidity level of 20% and higher. Make sure the room temperature/humidity does not exceed this range.

# Troubleshooting Guide (Continued)

PROBLEM	POSSIBLE CAUSE	SOLUTION
Water on the floor	The drain hose is loose.	Tighten the connection of the drain hose.
Sudden noise	The machine starts drainage process.	The water pump can create sounds during operation. This is a normal sound.

## Error Codes

POSSIBLE CAUSE	ERROR CODES		SOLUTION
	XD-85LH, XD-85L2	XD-125Li	
Failure of the Bluetooth / WiFi function	N/A	E0	Contact XPOWER for more assistance.
Motor is blocked or not able to function.	E1 or E6	E9 or E10	Remove blockage or contact XPOWER for more assistance.
Failure of the temperature sensor.	E2	E2 or E12	The dehumidification can function but you won't be able to see the temperature/humidity on the screen. Contact XPOWER for more assistance.
Failure of the humidity sensor.	E3	E1 or E11	
Failure of the water pump	E4	E3	Contact XPOWER for more assistance.
The machine is not positioned levelly.			Position the machine on a level surface.
The drain hose is blocked.			Remove blockage.
Failure of the defrost sensor.	E5	E4 or E5	The dehumidification can function but will defrost for 5 minutes every half an hour. Contact XPOWER for more assistance.

If troubleshooting does not resolve your problem, please contact XPOWER or other parties authorized by XPOWER for further instructions.

# Technical Specification

MODEL NUMBER	XD-85LH	XD-85L2	XD-125Li
Voltage / Frequency	115 V~60 Hz		
Amperage	6.7 A		7.9 A
Operation Temperature/ Relative Humidity Requirement	33 °F - 105 °F (0.6 °C to 40.6 °C) / 20% RH or higher		
Rated Airflow	180 CFM		420 CFM
Speed Control	Automatic		
Water Removal Efficiency 105 °F (40.6 °C) / 20% RH	22 Pints (10.4 L)/day		55 Pints (26 L)/ day
Water Removal Efficiency 80 °F (26.7 °C) / 60% RH	85 Pints (40 L)/day		125 Pints (59 L)/ day
Water Removal Efficiency 90 °F (32.2 °C) / 90% RH	150 Pints (71 L)/day		220 Pints (104 L)/day
Compartment Feature	No		Yes
Time Meter	Up to 9999 hours 50 minutes		Up to 99999 hours 59 minutes
Filter Type	Stainless Steel Filter		
Cord Length	25 ft. / 7.6 m	10 ft. / 3.0 m	25 ft. / 7.6 m
Drain Hose Length	40 ft. / 12.0 m		
Unit Dimension (L) x (W) x (H)	13.1 x 31.5 x 22.6 in. / 33.3 x 80.1 x 57.5 cm	13.1 x 32.3 x 22.5 in. / 33.2 x 82.1 x 57.1 cm	25.0 x 17.6 x 18.7 in. / 63.6 x 44.6 x 47.4 cm
Unit Weight	71.0 lbs. / 32.2 kg	70.5 lbs. / 32.0 kg	88.2 lbs. / 40.0 kg
Safety Certification	ETL/C-ETL		

If your product(s) is not listed above, please visit [www.xpower.com](http://www.xpower.com) for more information.

# XPOWER Limited Warranty (USA)

## 1 YEAR LIMITED WARRANTY

XPOWER-branded products purchased in the U.S. from authorized distributors include a 1-year limited warranty. Contact XPOWER to confirm warranty information about your product(s).

This limited warranty covers defects in materials and workmanship in your XPOWER-branded products, purchased in the **U.S. ONLY**. Local warranty policy (if any) in your country will cover products purchased outside the U.S.

### IMPORTANT:

- (1) Please finish the online warranty registration before usage. Visit [www.xpower.com/service-support/warranty-registration](http://www.xpower.com/service-support/warranty-registration).
- (2) This Limited Warranty applies with its own timeliness. Contact XPOWER or visit [www.xpower.com](http://www.xpower.com) for more information.

### Items mentioned but not limited to below are not covered by warranty:

- (1) Power cord, filters or any other components considered as a “consumable parts” by XPOWER.
- (2) Normal wear and tear.
- (3) Problems that result, directly or indirectly, at XPOWER’s sole discretion, from:
  - (3.1) External causes such as accident, abuse, misuse or problems with electrical power supply.
  - (3.2) Disassembling, servicing or modification not authorized by XPOWER.
  - (3.3) Usage that is not accordant with product instructions stated in Owner’s Manual.
  - (3.4) Failure to follow the product instructions or lack of necessary maintenance stated in Owner’s Manual.

### Before contacting XPOWER, please try one or more of the following:

- (1) Consult this Owner’s Manual and follow the instructions of troubleshooting guide.
- (2) Access [www.xpower.com](http://www.xpower.com) for more advice and information that could be helpful to address your problems.

### If you need additional assistance from XPOWER, please:

- (1) Email [info@xpower.com](mailto:info@xpower.com).
- (2) Call XPOWER U.S. Customer Service Department at **855-855-8868** or other numbers provided on [www.xpower.com](http://www.xpower.com).
- (3) Visit XPOWER U.S. Head Office at **668 S. 6th Ave., City of Industry, CA 91746** or the most current address provided on [www.xpower.com](http://www.xpower.com).

Please also have your original proof of purchase and the serial number(s) of your product(s) ready when you contact XPOWER.

# XPOWER Limited Warranty (USA) (Continued)

**If you are instructed to return the unit for service or replacement, please:**

- (1) Request a RMA (Return-Merchandise-Authorization) number.
- (2) Use the original or an equivalent packaging, prepay shipping charges at your own expense to the address provided by XPOWER, with the RMA number on the shipping label or the packaging.
- (3) Include all the original parts and components.

XPOWER will inspect, assess and advise the repairs needed and applicable cost, if any. For products under warranty, we will pay to ship the repaired or replaced product(s) to you if you use an address within the Contiguous United States. Otherwise, we will ship the product(s) to you at your own expense.

# Instrucciones de seguridad

## **ADVERTENCIA: LEA Y GUARDE ESTE MANUAL ANTES DE USAR ESTE PRODUCTO.**

El usuario de productos eléctricos puede crear peligros que incluyen, pero no se limitan a, lesiones, incendios, descargas eléctricas. El incumplimiento de estas instrucciones puede dañar y/o perjudicar su funcionamiento y anular la garantía.

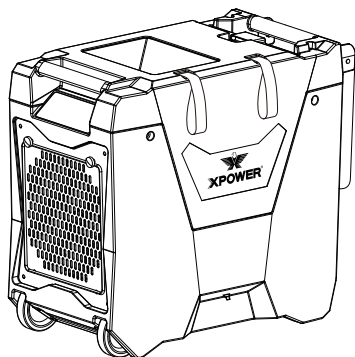
- Antes de operar, retire todo el material de embalaje y compruebe si hay algún daño que pudiera haber ocurrido durante el envío o cualquier artículo faltante.
- Revise la fuente de alimentación de su hogar para asegurarse de que coincide con las especificaciones del aparato.
- **NO** utilice el aparato con un cable o enchufe dañado. Deseche el aparato o devuélvalo a un centro de servicio autorizado para su examen y/o reparación.
- Utilícelo únicamente en los tomacorrientes protegidos con interruptor de circuito de falla a tierra (GFCI). Póngase en contacto con un electricista calificado para la verificación y / o la instalación de un receptáculo GFCI si es necesario.
- **NO** coloque el cable debajo de la alfombra. **NO** cubra el cable con alfombras, corredores o revestimientos similares. **NO** enrute el cable debajo de muebles o aparatos. Coloque el cable alejado del área de tránsito o de paso y donde no se vaya a tropezar.
- Para reducir el riesgo de incendio o descarga eléctrica, **NO** utilice este aparato con ningún aparato de control de velocidad de estado sólido.
- **NO** toque este aparato ni el enchufe con las manos mojadas o mientras esté parado en agua.
- **NO** utilice el aparato en agua estancada.
- **NO** utilice el producto en áreas donde se utilice o almacene gasolina, pintura u otros bienes y objetos inflamables.
- **NO** inserte ni permita que objetos entren en ninguna abertura de ventilación o escape, ya que podría dañar el aparato y anular la garantía.
- **NO** cubra la entrada o salida de aire del aparato.
- **NO** dirija el flujo de aire al rostro o cuerpo de personas.
- **NO** permita que los niños jueguen con este aparato.
- **APARATO DE FUNCIONAMIENTO AUTOMÁTICO** – Para reducir el riesgo de lesiones, desconecte la fuente de alimentación antes de realizar el mantenimiento.
- Retire el cable de alimentación del tomacorriente eléctrico agarrando y tirando solamente del extremo del enchufe del cable de alimentación, **NO** tire del cable directamente.
- **NO** intente reparar o ajustar cualquier función eléctrica o mecánica de este aparato, ya que esto puede resultar peligroso y anular la garantía.
- Si el aparato está dañado o funciona mal, **NO** continúe su uso. Desconecte el producto de la toma eléctrica. Consulte la guía de solución de problemas o póngase en contacto con XPOWER.
- Cuando el aparato no se encuentre en uso, almacénelo en un área seca, lejos de la exposición a la luz solar, temperatura extrema y humedad, así como de otros ambientes extremos.
- **NO** apile más de tres unidades de este aparato.
- Sujetar siempre la manija del carro y mantener la unidad elevada cuando la transporte de una habitación a otra. **NO** ponga el producto de costado o boca abajo.
- Si el deshumidificador se transportó puesto de lado o boca abajo, debe ponerlo en posición vertical y esperar al menos 4 horas antes de volver a utilizarlo.
- Se puede obtener un manual de instrucciones electrónico a través del sitio web del fabricante [www.xpower.com](http://www.xpower.com).



# Introducción del LGR Deshumidificador

- Los XPOWER LGR Deshumidificadores (deshumidificadores refrigerantes de baja mezcla de humedad) comerciales están diseñados para maximizar la extracción de agua y, al mismo tiempo, combinar la mayor eficiencia en rendimiento y en portabilidad.
- La tecnología más avanzada y un proceso de extracción de alta eficiencia aseguran el máximo rendimiento incluso en los entornos más desafiantes, tales como temperatura extrema y baja humedad ambiental.
- Con una capacidad de eliminación de agua altamente eficiente, el LGR (Refrigerante de grano bajo) Deshumidificador permite una zona extrema seca en el área de trabajo y el desplazamiento de agua al aire desde todas las superficies. Es ideal para restauración de daños causados por agua y en aplicaciones industriales donde se necesita una eficacia máxima de secado al aire.

## Artículos incluidos



Deshumidificador x 1

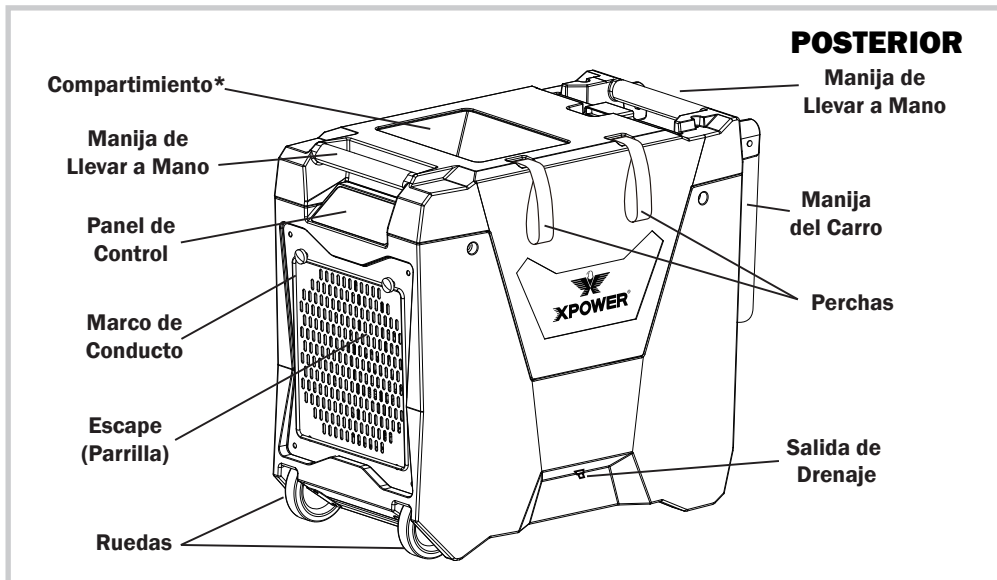
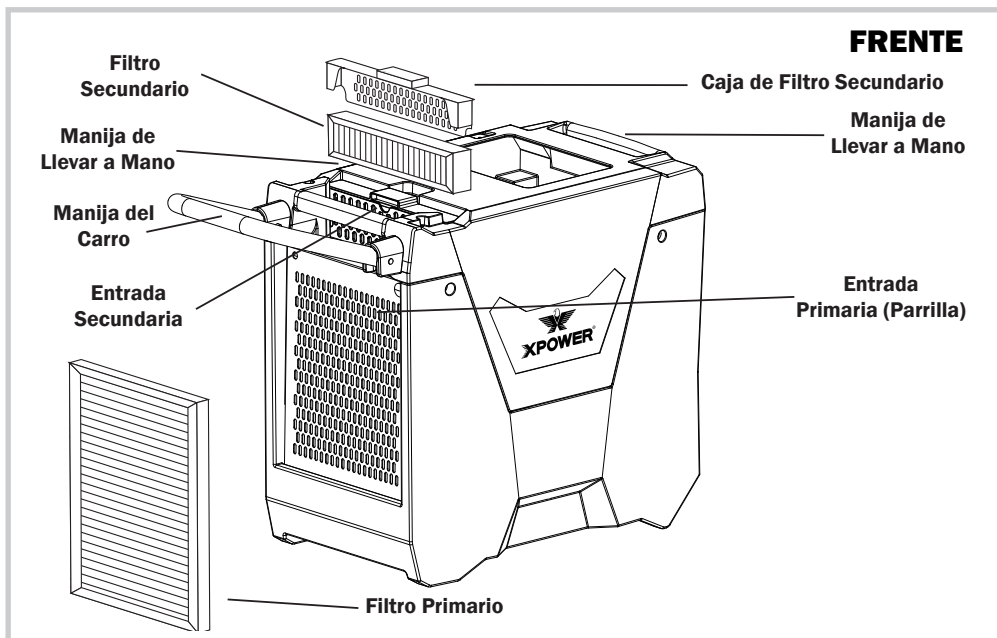


Manguera de Drenaje x 1



Manual de usuario x 1

# Descripción de las piezas



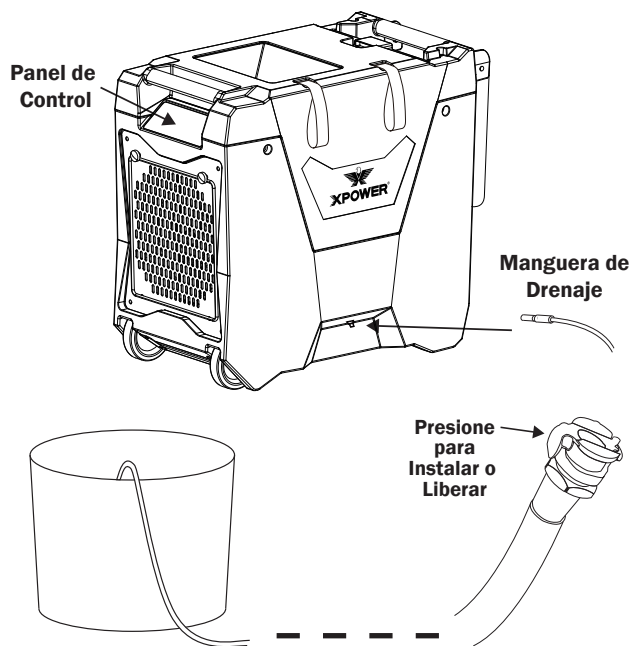
\* La función no se aplica a todos los modelos mencionados en este manual.

# Manual de instalaciones y operaciones

## Para escoger una ubicación (Importante)

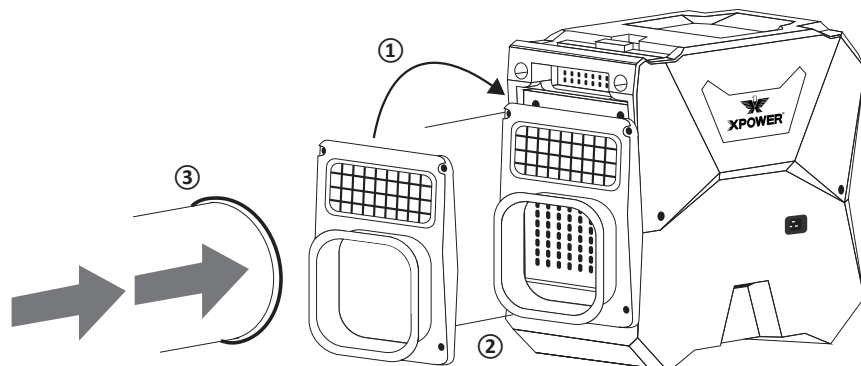
- **Colocación:** Antes de usar el deshumidificador, coloque la unidad en posición **VERTICAL** durante al menos 1 hora antes de usarla, para permitir que el refrigerante se estabilice. Si la unidad se puso de lado o boca abajo durante el transporte, colóquela en posición **VERTICAL** durante al menos 4 horas antes de usarla. El deshumidificador debe colocarse durante su uso en posición **VERTICAL** en una superficie nivelada.
- **Área cerrada:** Para una eficiencia óptima, el deshumidificador debe operarse en un área cerrada. Mantenga cerradas todas las puertas, ventanas y otras entradas a la habitación desde el exterior. Apagar el aire acondicionado.
- **Circulación de Aire:** Se sugiere tener una circulación de aire constante y eficiente dentro del área en la que se va a trabajar, por ejemplo, configurar una circulación con las combinaciones del Soplador de Aire XPOWER.
- **Temperatura y Humedad Ambiental:** El deshumidificador está diseñado para funcionar en un ambiente con una temperatura de 33 °F a 105 °F (0.6 °C a 40.6 °C) y un nivel de humedad relativa de 20% o más. El deshumidificador no puede funcionar de manera normal o eficiente si la temperatura ambiente y el nivel de humedad superan este rango de temperatura y nivel de humedad.
- **Cable de Alimentación y Manguera de Drenaje:** El cable de alimentación tiene una longitud de 10 pies (3.0 metros) y la manguera de drenaje tiene una longitud de 40 pies (12 metros). Seleccionar una ubicación donde el cable de alimentación pueda alcanzar la fuente de alimentación y la manguera de drenaje pueda alcanzar el área que se desea. No levante la manguera de drenaje a más de 16 pies (5 metros) por encima de la máquina.
- **Orientación de Entrada y Salida:** Prestar atención a la orientación de la entrada de aire, así como también a la de la salida de aire. Asegurarse de que el flujo de aire no afecte a ningún objeto cercano al deshumidificador.
- **IMPORTANTE:** La efectividad del deshumidificador puede verse afectada por diferentes factores. Debe mantener cualquier nuevo aire cargado de humedad lejos del área de trabajo y permitir suficiente circulación del aire encerrado en el ambiente. También es posible que la instalación de deshumidificadores múltiples podría ser necesaria para áreas cerradas más grandes.

## Instalación de la Manguera de Drenaje



- Conectar la manguera de drenaje a la salida de drenaje de la máquina.
- La salida de la máquina se puede encontrar como figura en el gráfico de la izquierda.
- Tener un recipiente separado para recoger el agua que viene del otro extremo de la manguera de drenaje.

## Instalación de una extensión (Opcional)

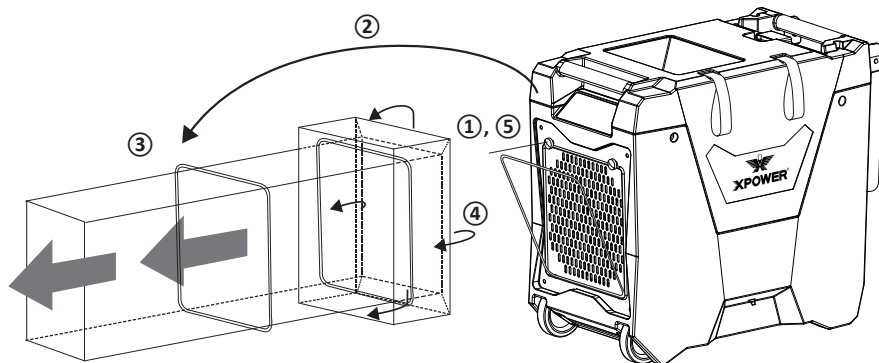


### Conducto de Entrada\*

- ① Instalar el adaptador de entrada\*\*.
- ② Atornillar los cuatro tornillos.
- ③ Conectar la manguera de conducto al adaptador de entrada.

\* Para el modelo XD-85LH solamente.

\*\* El adaptador de entrada se vende por separado.



### Conducto de Escape (Tubería Plana)

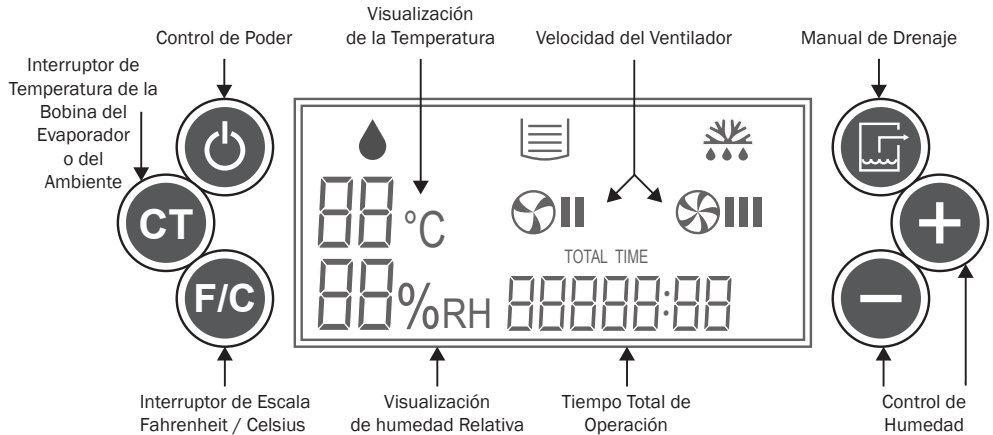
- ① Desatornillar los cuatro tornillos.
- ② Sacar el marco de conductos.
- ③ Dejar que la manguera de conductos atraviese el marco de conductos.
- ④ Girar la manguera de conductos alrededor del marco a su parte posterior.
- ⑤ Atornillar los cuatro tornillos.

## Panel de Control

### Para Modelo XD-125Li:

Consulte la guía de inicio rápido.

### Para Modelo XD-85LH/XD-85L2:



## Botones

### Control de Poder

Presione para ENCENDER o APAGAR el deshumidificador.

### Interruptor de Escala Fahrenheit / Celsius

Presione para cambiar la visualización de la temperatura en escala Celsius o Fahrenheit.

### Manual de Drenaje

Presionar para drenar manualmente. El drenaje manual durará 45 segundos.

### Interruptor de Temperatura de la Bobina del Evaporador o de la Ambiente

Presione para cambiar la visualización de la temperatura de la bobina evaporadora o del ambiente.

### Control de Humedad

Toque "+" o "-" para aumentar o disminuir el nivel de humedad deseado en incrementos de 1%. Toque y mantenga para aumentar o disminuir el nivel de humedad de configuración en un 5% por segundo. El rango ajustable es de 30% a 90%.

## Información

### Visualización de Humedad Relativa

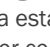
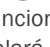
Esto mostrará el nivel de humedad relativa de la configuración o del ambiente. Muestra la humedad del ambiente predeterminada. Al ajustar la humedad, mostrará la humedad de configuración y hará un parpadeo. Después de 5 segundos desde el último ajuste, volverá a mostrar la humedad del ambiente. (Ver página 8: Control de Humedad)

## Panel de Control (Continuación)

### Visualización de la Temperatura

Esto mostrará la temperatura del evaporador o del entorno (*Ver Página 8: Interruptor de Temperatura de la Bobina del Evaporador o de la Ambiente*). Cuando está en escala Celsius, °C se iluminará. Cuando está en escala Fahrenheit, °F se apagará. Si la temperatura que se muestra es superior a 99 °F, la escala se configurará automáticamente en Celsius (*Ver Página 8: Interruptor de escala Fahrenheit/Celsius*).

### Velocidad del Ventilador

Esto mostrará si la máquina está funcionando a velocidad del ventilador baja (  ) o alta (  ). El deshumidificador controlará la velocidad del ventilador de acuerdo con la temperatura y la humedad del ambiente.

### Tiempo Total de Operación

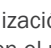
Esto mostrará el tiempo total de operación desde el primer uso hasta el momento actual. El tiempo de operación comienza a contar en el momento que la máquina se enciende. El valor no se puede restablecer.

## Indicadores

### Luz Indicadora de Descongelado

Esta luz indica que la bobina evaporadora o la temperatura del ambiente son demasiado bajas. Puede comenzar a aparecer escarcha en la bobina evaporadora. La máquina está ahora descongelando.

### Deshumidificación Constante

Con el ajuste del nivel de humedad de 30%, si se presiona el botón de control de humedad "-",  parpadeará en la visualización de humedad. La máquina entrará en el modo de deshumidificación constante y no detendrá la deshumidificación a medida que cambie la humedad del ambiente.

### Luz "APAGADA"

Esta luz indica que la máquina está conectada a la fuente de alimentación y que ahora está apagada.

### Luz Indicadora de Deshumidificación

Cuando esta luz parpadea, indica que la máquina se está preparando para la deshumidificación. Cuando esta luz permanece brillante, indica que ahora la máquina está deshumidificando.

### Luz Indicadora de Drenaje

Cuando esta luz parpadea, indica que la máquina está en proceso de drenaje. Cuando esta luz permanece brillante, indica que el tanque de agua está lleno.

### Códigos de Error


Estos son códigos de error. Consulte la Guía de Resolver de Problemas para obtener más información.

## Comience su Trabajo

### Encender el deshumidificador

Presionar el botón de Control de Poder para encender la máquina. Puede ver que la luz indicadora de deshumidificación está parpadeando. Espere 3 minutos (180 segundos) hasta que la máquina complete el inicio.

### Anotar la hora de inicio

- Para modelo XD-85LH/XD-85L2, si desea calcular el tiempo de uso, recuerde anotar la hora de inicio  inmediatamente después de que se inicie la máquina.
- Para modelo XD-125Li, consulte la guía de inicio rápido.

### Establecer el nivel de humedad deseado

- Tocar el botón de control de humedad para ajustar la configuración del nivel de humedad. La configuración de humedad predeterminada es 30%. El rango de ajuste es de 30% a 90% (*Ver Página 8: Control de Humedad*). La máquina intentará igualar el nivel de humedad de configuración y mantenerlo.
- Para modelo XD-85LH/XD-85L2, si desea que la máquina funcione constantemente, ajuste el nivel de humedad en un 30% y luego presione “-” (*Ver Página 9: Deshumidificación Constante*). Presionar “+” para salir del modo de deshumidificación constante.
- Para modelo XD-125Li, consulte la guía de inicio rápido para entrar o del modo de deshumidificación constante.
- Si el deshumidificador pierde potencia accidentalmente, cuando se vuelva a encender, el deshumidificador funcionará en su última configuración.

### Deshumidificación

- Cuando la máquina se está deshumidificando, la luz indicadora de deshumidificación se enciende.
- Puede ver que la luz indicadora de deshumidificación está parpadeando. Eso significa que la deshumidificación se detiene temporalmente o que la humedad ambiente ha alcanzado el nivel de configuración. Espere hasta que la máquina complete el arranque o hasta que el nivel de humedad vuelva a subir.
- El deshumidificador controlará la velocidad del ventilador de acuerdo con la temperatura y la humedad del ambiente.

### Descongelado

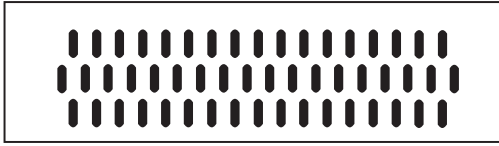
- Cuando la bobina evaporadora o la temperatura ambiente están demasiado bajas, puede aparecer escarcha en el evaporador. Esto causará una efectividad de la deshumidificación menor. La máquina comenzará el descongelado hasta que la temperatura vuelva a ser normal.
- Cuando la máquina se está descongelando, la deshumidificación se detiene. La luz indicadora de deshumidificación se apaga y la luz indicadora de descongelado se encenderá.



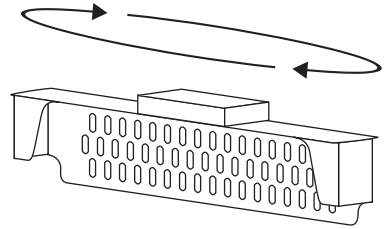
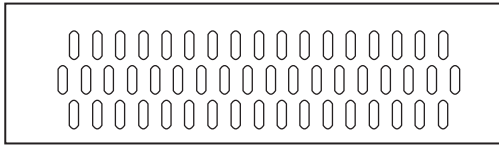
## Comience su Trabajo (Continuación)

- No apague la máquina durante el proceso de descongelado.

### Entrada Secundaria (Abierto)



### Entrada Secundaria (Cerrado)



Caja de Filtro Secundario

**⚠ Importante:** Para una mejor eficiencia cierre la entrada secundaria cuando la temperatura del ambiente caiga por debajo de los 68 °F (20 °C) o en un ambiente contaminado.


Para cerrar la entrada secundaria, retire la caja del filtro, gíre y vuelva hacer la instalación.

## Drenaje (Importante)

- Presione el botón de Drenaje Manual para hacer el drenaje manualmente. Durará 45 segundos y no detendrá el proceso de deshumidificación o de descongelado.
- Si el tanque de agua está lleno o no está colocado horizontalmente, se encenderá la luz indicadora de tanque lleno de agua. Cualquier proceso de deshumidificación o descongelado se detendrá y la máquina procesará el drenaje automáticamente durante 45 segundos. Posteriormente, si el tanque de agua sigue detectándose lleno, se mostrará un código de error (Ver *Página 9: Códigos de Error* o *Página 15: Guía para resolver problemas*).
- Cuando se apaga, la máquina procesará el drenaje automáticamente durante 60 segundos. Espere hasta que este proceso se complete.
- No levante la manguera de drenaje a más de 16 pies (5 metros) por encima de la máquina.

## Comience su Trabajo (Continuación)

### Calcular el tiempo de uso

- Para modelo XD-85LH/XD-85L2, recuerde escribir la hora  de finalización inmediatamente después de que la máquina se apague.
- Comparar la hora de inicio y la hora de finalización para calcular el tiempo de uso.
- Para modelo XD-125Li, consulte la guía de inicio rápido.

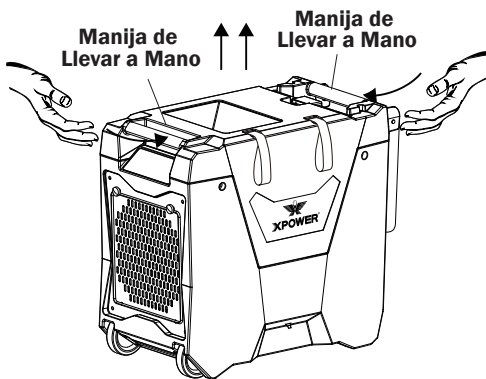
### Apagar el deshumidificador

Presionar el botón de Control de Poder para apagar la máquina. Cuando se apaga, la máquina procesará el drenaje automáticamente durante 60 segundos. Espere hasta que este proceso se complete.

## Transporte

### Antes del transporte, siempre se debe:

- Realizar un drenaje manual. De lo contrario, el agua puede derramarse durante el transporte y entrar en partes centrales de la máquina. Esto también puede invalidar la garantía.
- Desconectar la máquina de la fuente de alimentación.
- Retirar toda la instalación de la extensión y desinstalar el cable de alimentación y la manguera de drenaje.

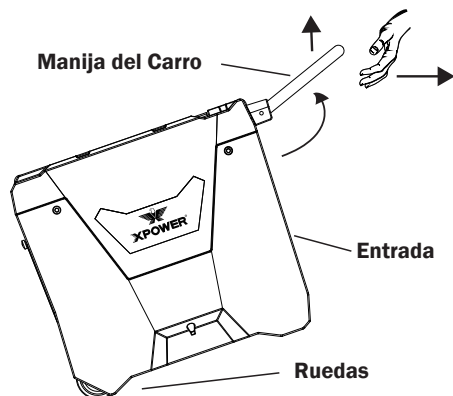


### Levantar con las Manijas de Llevar a Mano

- Levantar el deshumidificador con las manijas de llevar a mano, en la parte superior de los dos extremos.
- Tener en cuenta el peso de la máquina.

**⚠ ADVERTENCIA:** no use la percha como manijas de llevar a mano.

## Transporte (Continuación)



### Transporte con la Manija del Carro

- Levantar el deshumidificador en las ruedas con la manija del carro.
- Tirar para transportarlo con la manija del carro.

## Instrucciones de mantenimiento del usuario

Se recomienda un mantenimiento frecuente en este aparato. El incumplimiento de las instrucciones de mantenimiento puede ocasionar una falla en el aparato e invalidar su garantía.

### Antes de realizar el mantenimiento o el almacenamiento, siempre debe:

- Realizar un drenaje manual.
- Desconectar la máquina de la fuente de alimentación.
- Eliminar toda la instalación de la extensión.

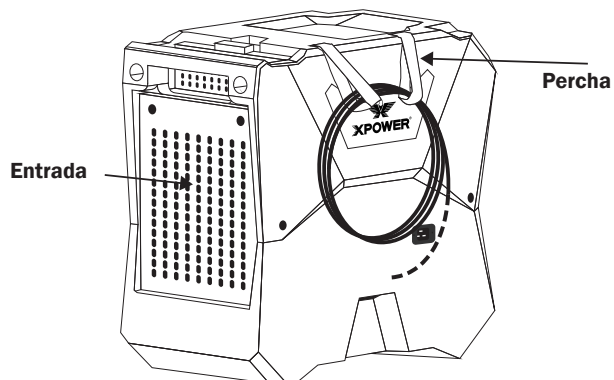
### Limpia la superficie

- Utilice un paño húmedo para limpiar la superficie de la carcasa. No limpie la unidad directamente con agua.
- No limpie usted mismo las aletas del evaporador y del condensador.

### Almacenar la máquina

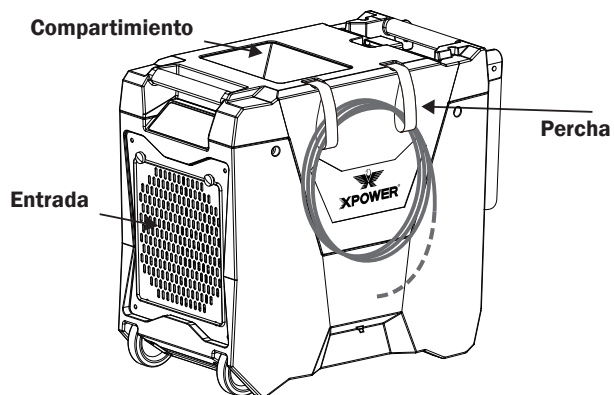
- Guardar el aparato en un lugar bajo techo, seco y fresco, alejado de la luz solar directa y de productos químicos, fuera del alcance de niños y niñas.
- **IMPORTANTE:** asegurarse de que la máquina esté nivelada.
- Si se desea apilar este electrodoméstico, colocarlo en la parte superior con la misma orientación.
- No se debe apilar más de tres unidades de este electrodoméstico.

### Para Modelo XD-85LH:



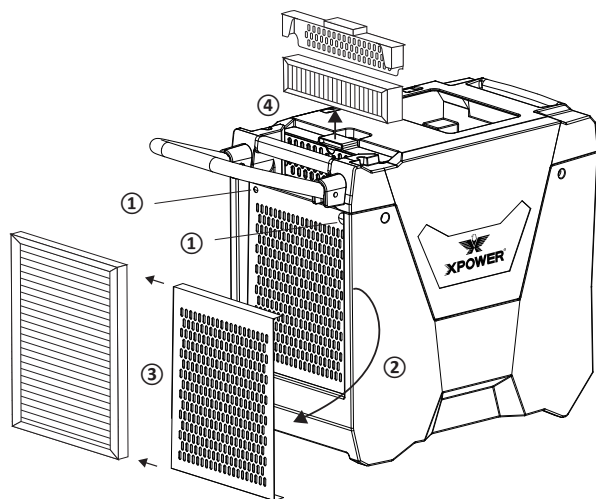
- Retirar el cable de alimentación y la manguera de drenaje de la salida de la máquina.
- Abrir el velcro en las perchas.
- Colgar el cable de alimentación y la manguera de drenaje en las perchas y cierre el velcro.

### Para Modelo XD-85L2 / XD-125Li:



- Retirar la manguera de drenaje de la salida de la máquina.
- Abrir el velcro en las perchas.
- Colgar la manguera de drenaje en las perchas y cierre el velcro.
- Guarde el cable de alimentación o la manguera de drenaje en el compartimiento.

## Almacenar o Reemplazar los Filtros



- ① Desatornillar los dos tornillos.
- ② Sacar la parrilla del filtro.
- ③ Deslizar el filtro primario de la parrilla.
- ④ Sacar la caja del filtro secundario y el filtro secundario de la ranura.

- Limpiar y lavar los filtros con agua.
- Guardar el filtro en un lugar seco y fresco en un recipiente sellado.
- Si es necesario reemplazar los filtros.

## Guía para resolver problemas

PROBLEMA	POSIBLE CAUSA	SOLUCIÓN
El deshumidificador no se enciende	No hay electricidad.	Compruebe la fuente de alimentación.
	El cable de alimentación no está enchufado correctamente.	Remueva y reconecte el cable de alimentación.
El deshumidificador funciona, pero el nivel de humedad no disminuye	El sistema de deshumidificación está en el proceso de inicio.	Esperar 3 minutos (180 segundos) hasta que la luz de deshumidificación deje de parpadear.
	La configuración del nivel de humedad es demasiado alta.	Disminuir la configuración del nivel de humedad.

# Guía para resolver problemas (Continuación)

PROBLEMA	POSIBLE CAUSA	SOLUCIÓN
El deshumidificador funciona, pero el nivel de humedad no disminuye	El área de trabajo no está cerrada.	Asegurarse de que el área esté bien sellada.
	Hay otras fuentes de humedad en el ambiente.	Eliminar estas fuentes o esperar hasta que la humedad se volatilice por completo.
	El nivel de humedad ha alcanzado el nivel de configuración.	Disminuir la configuración del nivel de humedad, configurar el modo de deshumidificación constante y esperar hasta que el nivel de humedad vuelva a subir.
	La máquina estuvo inclinada y no se colocó en posición vertical durante el tiempo suficiente antes de su uso.	Colocar la máquina en posición vertical sobre una superficie nivelada y esperar al menos cuatro horas antes de su siguiente uso.
	El filtro de aire o la entrada y salida de aire están bloqueados.	Eliminar el bloqueo.
	La temperatura ambiente es demasiado baja o demasiado alta; el nivel de humedad es demasiado bajo.	El deshumidificador está diseñado para funcionar en un ambiente con una temperatura de 33 °F a 105 °F (0.6 °C a 40.6 °C) y un nivel de humedad relativa de 20% o más. Asegúrese de que la temperatura y la humedad ambiente no exceda este rango.
Agua en el suelo	La manguera de drenaje está suelta.	Apretar la conexión de la manguera de drenaje.
Ruido repentino	La máquina inicia el proceso de drenaje.	La bomba de agua puede crear sonidos durante la operación. Este es un sonido normal.

# Guía para resolver problemas (Continuación)

## Códigos de Error

POSIBLE CAUSA	CÓDIGOS DE ERROR		SOLUCIÓN
	XD-85LH, XD-85L2	XD-125Li	
Fallo de la función Bluetooth/WiFi	N/A	E0	Entrar en contacto con XPOWER para obtener más ayuda.
El motor está bloqueado o no puede funcionar.	E1 or E6	E9 or E10	Elimine la obstrucción o comuníquese con XPOWER para obtener más ayuda.
Fallo del sensor de temperatura.	E2	E2 or E12	La deshumidificación puede funcionar, pero no podrá ver la temperatura y la humedad en la pantalla. Entrar en contacto con XPOWER para obtener más ayuda.
Fallo del sensor de humedad.	E3	E1 or E11	
Fallo de la bomba de agua.	E4	E3	Entrar en contacto con XPOWER para obtener más ayuda.
La máquina no está en posición nivelada.			Colocar la máquina en una superficie nivelada.
La manguera de drenaje está bloqueada.			Eliminar el bloqueo.
Fallo del sensor de escarcha.	E5	E4 or E5	La deshumidificación puede funcionar, pero se descongelará durante 5 minutos cada media hora. Entrar en contacto con XPOWER para obtener más ayuda.

Si la solución de problemas propuesto no resuelve su problema, por favor póngase en contacto con XPOWER o otras entidades autorizadas por XPOWER para obtener instrucciones más detalladas al respecto.

# Especificación técnica

NÚMERO DE MODELO	XD-85LH	XD-85L2	XD-125Li
Voltaje / Frecuencia	115 V~60 Hz		
Amperaje	6.7 A		7.9 A
Temperatura de operación y humedad relativa requerida	33 °F - 105 °F (0.6 °C to 40.6 °C) / 20% RH o mas alto		
Clasificación del flujo de aire	180 CFM*		420 CFM*
Control de velocidad	Automático		
Eficiencia de eliminación de agua 105 °F (40.6 °C) / 20% RH	22 Pintas (10.4 L)/día		55 Pintas (26 L)/día
Eficiencia de eliminación de agua 80 °F (26.7 °C) / 60% RH	85 Pints (40 L)/día		125 Pintas (59 L)/día
Eficiencia de eliminación de agua 90 °F (32.2 °C) / 90% RH	150 Pints (71 L)/día		220 Pintas (104 L)/día
Compartimiento	No	Sí	
Contador de tiempo	Hasta 9999 horas 50 minutos		Hasta 99999 horas 59 minutos
Tipo de filtro	Filtro de acero inoxidable		
Longitud del cable	25 pies / 7.6 m	10 pies / 3.0 m	25 pies / 7.6 m
Longitud del Manguera de drenaje	40 pies / 12.0 m		
Dimensiones de la unidad (L) x (W) x (H)	13.1 x 31.5 x 22.6 pulgadas / 33.3 x 80.1 x 57.5 cm	13.1 x 32.3 x 22.5 pulgadas / 33.2 x 82.1 x 57.1 cm	25.0 x 17.6 x 18.7 pulgadas / 63.6 x 44.6 x 47.4 cm
Peso de la unidad	71.0 libras / 32.2 kg	70.5 libras / 32.0 kg	88.2 libras / 40.0 kg
Certificación de seguridad	ETL/C-ETL		

\*CFM (Cubic Feet per Minute): Pies cúbicos por minuto.

Si su(s) producto(s) no está(n) listado(s) arriba, por favor visite la página web [www.xpower.com](http://www.xpower.com) para mayor información.



# Garantía limitada de XPOWER (EE.UU.)

## GARANTÍA LIMITADA DE 1 AÑO

Los productos de la marca XPOWER adquiridos en los Estados Unidos de distribuidores autorizados incluyen una garantía limitada de 1 año. Póngase en contacto con XPOWER para confirmar la información de su garantía sobre su(s) producto(s).

Esta garantía limitada cubre defectos en materiales y mano de obra en los productos de la marca XPOWER, comprados **ÚNICAMENTE EN LOS EE.UU.** La póliza de garantía local (si existiese) en su país cubrirá los productos adquiridos fuera de los Estados Unidos.

### **IMPORTANTE:**

- (1) Por favor complete el registro de su garantía en línea antes de usar el aparato. Visite [www.xpower.com/service-support/warranty-registration](http://www.xpower.com/service-support/warranty-registration).
- (2) Esta Garantía Limitada se aplica a su tiempo apropiado. Póngase en contacto con XPOWER o visite [www.xpower.com](http://www.xpower.com) para obtener más información.

### **Los artículos mencionados pero no limitados a continuación no están cubiertos por la garantía:**

- (1) Cable de alimentación, filtros o cualquier otro componente considerado como “partes consumibles” por XPOWER.
- (2) Uso y desgaste normal.
- (3) Problemas que resulten, directa o indirectamente, a discreción de XPOWER, relativos a:
  - (3.1) Causas externas como accidentes, abusos, mal uso o problemas con el suministro de energía eléctrica.
  - (3.2) Desmontaje, reparación o modificación no autorizada por XPOWER.
  - (3.3) Uso que no esté de acuerdo con las instrucciones del producto que se indican en el Manual de usuario.
  - (3.4) El incumplimiento de las instrucciones del producto o la falta de mantenimiento necesario señalado en el Manual de usuario.

### **Antes de ponerse en contacto con XPOWER, por favor trate una o más de las siguientes opciones:**

- (1) Consulte este manual de usuario y siga las instrucciones de la guía de solución de problemas.
- (2) Acceda a [www.xpower.com](http://www.xpower.com) para obtener más consejos e información que podría ser útil para resolver sus problemas.

### **Si necesita ayuda adicional por parte de XPOWER, por favor:**

- (1) Envíe un correo electrónico a [info@xpower.com](mailto:info@xpower.com).
- (2) Llame al departamento de servicio al cliente de XPOWER EE.UU. al 855-855-8868 o otros números proporcionados en [www.xpower.com](http://www.xpower.com).
- (3) Visite la oficina central de XPOWER EE.UU. en [668 S. 6th Ave., City of Industry, CA 91746](http://www.xpower.com) o la dirección más reciente proporcionada en [www.xpower.com](http://www.xpower.com).

Por favor tenga a la mano su comprobante de compra original y los números de serie de su(s) producto(s) cuando se ponga en contacto con XPOWER.

**Si se le indica que debe proceder con la devolución de la unidad para su reparación o reemplazo, por favor:**

- (1) Solicite un número de autorización de devolución de mercancías o RMA (Return-Merchandise-Authorization).
- (2) Utilice el embalaje original o uno equivalente, pague por adelantado los gastos de envío por su propia cuenta a la dirección proporcionada por XPOWER, con el número RMA en la etiqueta de envío o en el embalaje.
- (3) Incluya todas las piezas y componentes originales.

XPOWER inspeccionará, evaluará y determinará las reparaciones necesarias y el costo aplicable, si lo hubiere. Para los productos bajo garantía, la compañía pagará por el envío del (los) producto(s) reparado(s) o reemplazado(s) a usted, en caso de que utilice una dirección dentro de los Estados Unidos. En caso contrario, se le enviará el (los) producto(s) bajo su propio costo.



# Consignes de sécurité

## **ATTENTION - Lisez et épargnez ces instructions AVANT D'UTILISER CE PRODUIT**

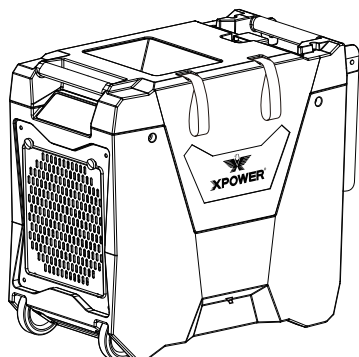
L'utilisateur du produit électrique peut créer des risques possibles, sans être limité aux blessures, une incendie, un choc électrique. Le non-respect de ces instructions peut endommager et / ou nuire à son fonctionnement et annuler la garantie.

- Avant d'utilisation, enlevez tous les matériaux d'emballage et vérifiez pour endommagements éventuels qui auraient pu survenir lors du transport ou en cas d'éléments manquants.
- Vérifiez le système électrique d'alimentation du ménage afin d'assurer qu'il respecte les spécifications de l'appareil.
- **NE PAS** opérer avec un cordon d'alimentation ou une fiche endommagée. Jetez le appareil ou le retournez à un centre de service autorisé pour l'examen et / ou la réparation.
- Utilisez uniquement des prises protégées par interrupteur de circuit à la terre (GFCI). Veuillez communiquer avec un électricien qualifié pour la vérification et / ou l'installation d'une prise GFCI si nécessaire.
- **NE PAS** couvrir le fil avec la moquette. **NE PAS** couvrir le cordon avec des tapis, des couvreurs ou des revêtements similaires. **NE PAS** passer le câble sous les meubles ou les appareils. Éloigner le fil de la zone de circulation et où il ne sera pas trébuché.
- Afin de réduire le risque d'incendie ou d'électrocution, **NE PAS** utiliser cet appareil avec n'importe quel dispositif de contrôle de vitesse à l'état solide.
- **NE PAS** touchez cet appareil ou la fiche avec les mains humides ou tout en restant dans l'eau.
- **NE PAS** faire fonctionner l'appareil dans n'importe quelle eau commune.
- **NE PAS** utiliser le produit dans des endroits où de l'essence, de la peinture ou d'autres biens et objets inflammables sont utilisés ou entreposés.
- **NE PAS** mettre des objets dans les entrées du produit pour éviter d'endommager l'appareil et annuler la garantie.
- **NE PAS** couvrir l'entrée d'air ou la sortie de l'appareil.
- **NE PAS** diriger le flux d'air sur les visages ou les corps humains.
- **NE PAS** permettre aux enfants de jouer cet appareil.
- **DISPOSITIF À FONCTIONNEMENT AUTOMATIQUE** - Pour réduire le risque de blessures, débranchez-vous de l'alimentation avant l'entretien.
- Retirer le cordon d'alimentation de la prise électrique en saisissant et en tirant sur le cordon d'alimentation enfichable extrémité seulement, **NE PAS** tirer le cordon directement.
- **NE PAS** tenter réparer ou de régler les fonctions électriques ou mécaniques de cet appareil, car cela pourrait causer un danger et annuler la garantie.
- Si l'appareil est endommagé ou avec mauvais fonctionnement, **NE PAS** continuer à l'utiliser. Débrancher le produit de la prise électrique. Reportez-vous au guide de dépannage ou contacter XPOWER.
- Entrez le dans un endroit sec, à l'abri de l'exposition à la lumière du soleil, la température et l'humidité extrêmes ou d'autres environnements extrêmes, en cas de non-utilisation.
- **NE PAS** empiler plus de trois unités de cet appareil.
- Toujours saisir la poignée trolley et garder l'unité en place en transportant d'une pièce à l'autre. **NE PAS** incliner le produit sur le côté ou à l'envers.
- Si le déshumidificateur a été transporté basculé sur le côté ou à l'envers, vous devez le positionner debout et attendre au moins 4 heures avant de l'utiliser à nouveau.
- Vous pouvez obtenir le manuel d'instruction électronique sur le site Web de la fabrication [www.xpower.com](http://www.xpower.com).

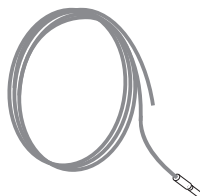
# Introduction du LGR Déshumidificateur

- Les XPOWER LGR Déshumidificateurs (déshumidificateurs réfrigérants de bas taux de mélange) commerciaux sont conçus pour maximiser l'extraction de l'eau tout en combinant l'efficacité la plus élevée en termes de performance et de portabilité.
- La technologie la plus récente est un processus d'extraction d'eau à haut rendement et garantit une performance maximale même dans les environnements les plus difficiles, tels que d'une température extrême et l'humidité réduite.
- Avec une capacité d'élimination efficace de l'eau, le LGR Déshumidificateur (déshumidificateur réfrigérant de bas taux de mélange) permet une zone sèche extrême dans la zone de travail et la migration de l'eau vers l'air de toutes les surfaces. Il est idéal pour la restauration des dégâts d'eau et les applications industrielles où une performance maximale de séchage à l'air est nécessaire.

## Eléments inclus



Déshumidificateur x 1

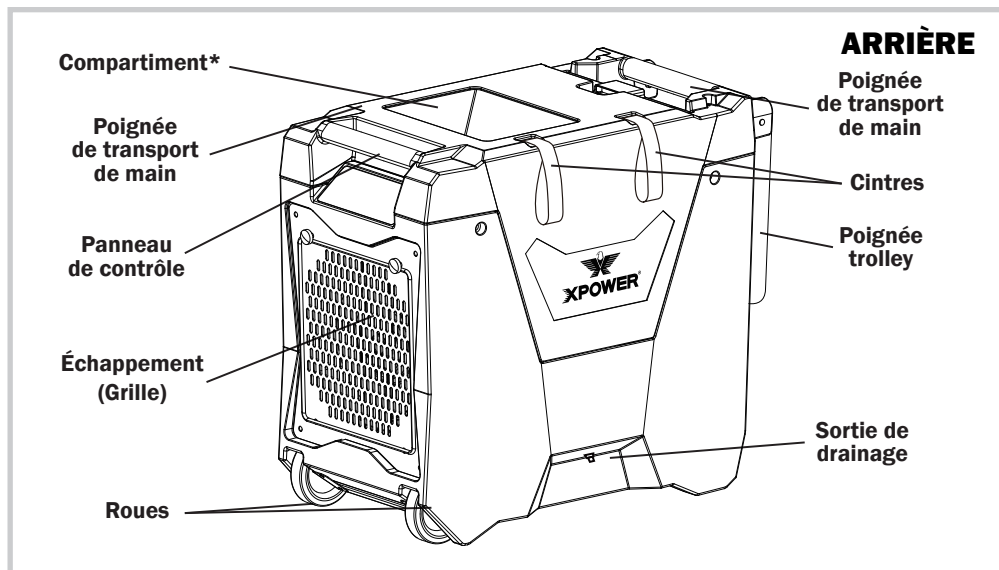
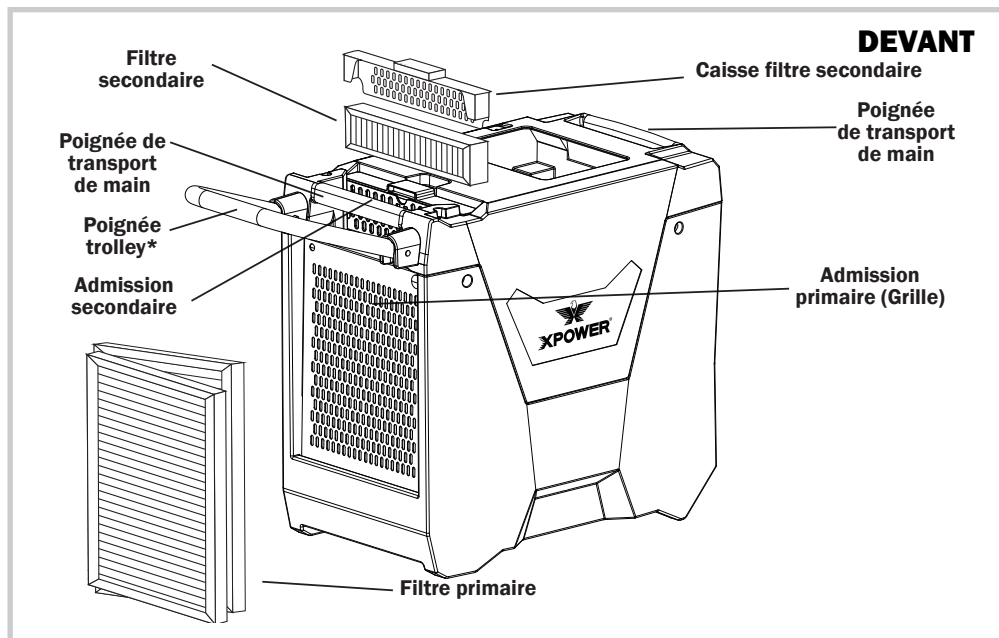


Tuyau de drainage x 1



Manuel d'emploi x 1

# Description des pièces



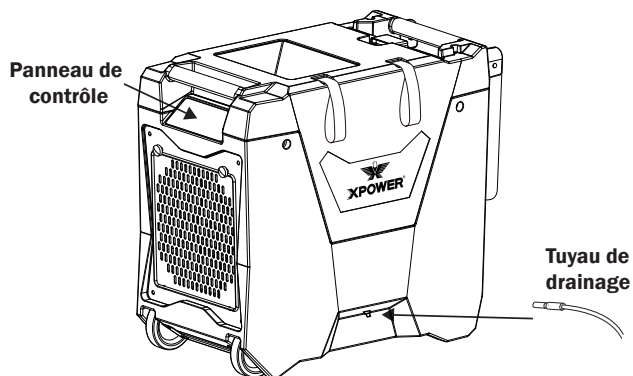
\* Ces caractéristiques ne s'appliquent pas à tous les modèles mentionnés dans ce manuel.

# Guide d'installation et d'utilisation

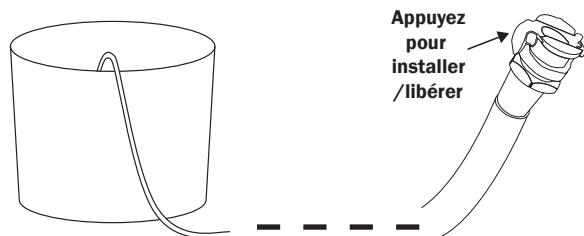
## Sélection d'un emplacement (Important)

- **Positionnement:** Avant d'utiliser le déshumidificateur, placez l'unité tout **DROIT** pendant au moins 1 heure avant de l'utiliser pour permettre au réfrigérant de se stabiliser. Si l'unité a été inclinée sur le côté ou à l'inverse pendant le transport, placez l'unité tout **DROIT** pendant au moins 4 heures avant de l'utiliser. Le déshumidificateur doit être positionné **DROIT** sur une surface plate pendant l'utilisation.
- **Espace clos:** Pour une efficacité optimale, le déshumidificateur doit être utilisé dans une zone fermée. Garder toutes les portes, fenêtres et autres entrées extérieures de la pièce fermées. Éteignez la climatisation.
- **Circulation d'air:** Il est suggéré d'avoir une circulation d'air constante et efficace à l'intérieur de la zone dans laquelle vous allez travailler, par exemple en configurant une circulation avec les combinaisons XPOWER Brasseur d'air.
- **Environnement Température/Humidité:** Le déshumidificateur est conçu pour fonctionner dans un environnement avec une température de 33 °F à 105 °F (0,6 °C à 40,6 °C) et un taux d'humidité relative de 20% et plus. Le déshumidificateur peut ne pas fonctionner normalement ou efficacement si la température ambiante et le niveau d'humidité dépassent cette plage de température et d'humidité.
- **Cordon d'alimentation et tuyau de drainage:** Le cordon d'alimentation a une longueur de 10 pieds (3,0 mètres) et le tuyau de drainage a une longueur de 40 pieds (12 mètres). Sélectionnez un emplacement où le cordon d'alimentation peut atteindre la source d'alimentation et le tuyau de drainage peut atteindre la zone souhaitée. Veuillez ne pas soulever le tuyau de drainage à plus de 16 pieds (5 mètres) au-dessus de la machine.
- **Orientation d'entrée et de sortie:** Faites également attention à l'orientation de l'entrée d'air et de la sortie d'air. Assurez-vous que le flux d'air n'influence aucun objet à proximité du déshumidificateur.
- **IMPORTANT:** L'efficacité du déshumidificateur peut être influencée par différents facteurs. Vous devez garder tout nouvel air chargé d'humidité loin de la zone de travail et permettre une circulation d'air suffisante dans la pièce. Vous pouvez également trouver que l'installation de plusieurs déshumidificateurs peut être nécessaire pour les grandes zones fermées.

## Installation du tuyau de drainage



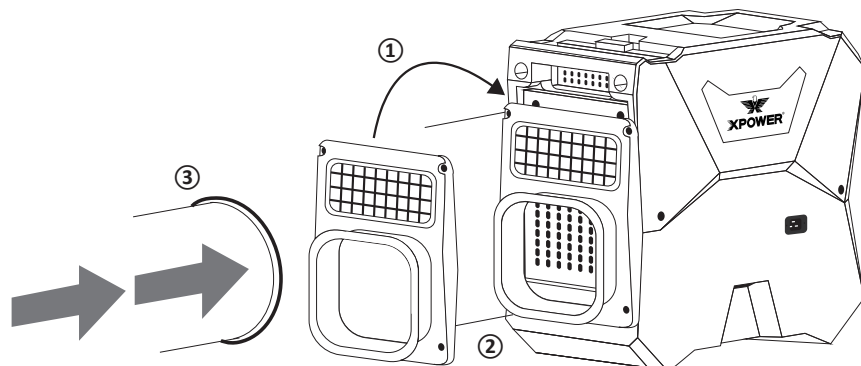
- Installez l'entrée du tuyau de drainage à la sortie de drainage de la machine.



- Veuillez assurer d'avoir un récipient séparé pour recueillir l'eau provenant de l'autre bout du tuyau de drainage.



## Configuration de l'extension (Optionnel)

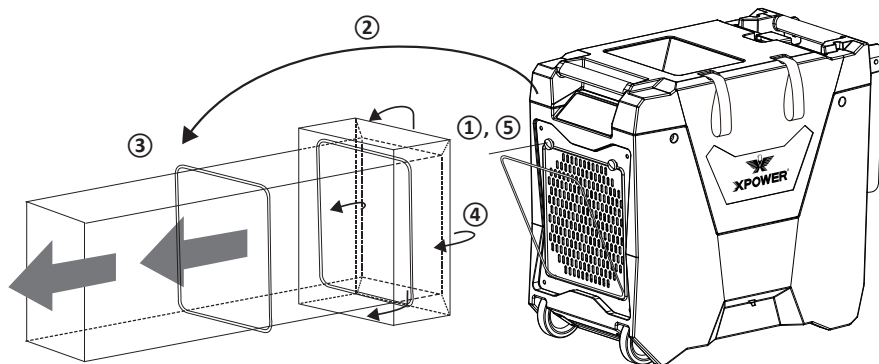


### Conduits d'admission\*

- ① Installez l'adaptateur d'admission\*\*.
- ② Visser les quatre vis.
- ③ Fixez le tuyau de conduite à l'adaptateur d'admission.

\* Pour le modèle XD-85LH seulement.

\*\* L'adaptateur d'admission est vendu séparément.



### Conduits d'échappement (Poser à plat)

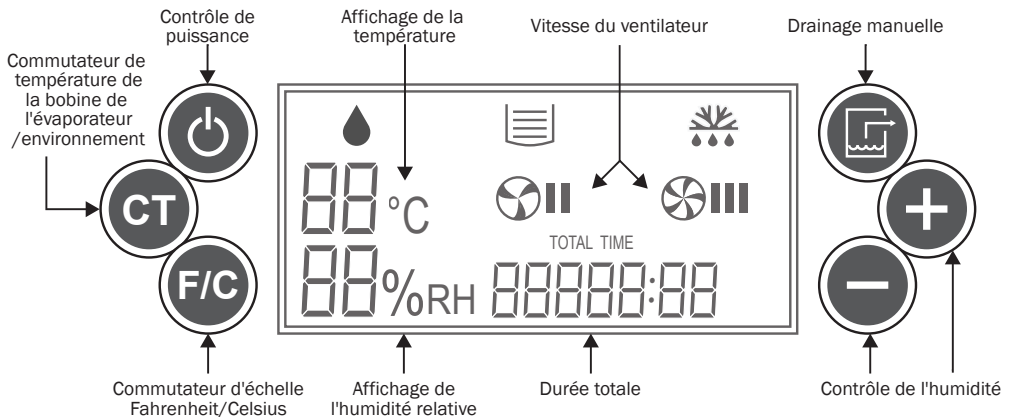
- ① Dévissez les quatre vis.
- ② Retirez le cadre de la gaine.
- ③ Laissez le tuyau de gaine traverser le cadre de la gaine.
- ④ Tournez le tuyau de canalisation autour du cadre vers l'arrière.
- ⑤ Visser les quatre vis.

## Panneau de contrôle

### Pour le modèle XD-125Li:

Reportez-vous au guide de démarrage rapide.

### Pour le modèle XD-85LH/XD-85L2:



## Boutons



### Contrôle de puissance

Appuyez pour activer ou désactiver le déshumidificateur.



### Commutateur de température de la bobine de l'évaporateur/environnement

Appuyez pour changer l'affichage de la température de la bobine de l'évaporateur ou de l'environnement.



### Commutateur d'échelle Fahrenheit/Celsius

Appuyez pour changer l'affichage de la température en degrés Fahrenheit ou Celsius.



### Manual Drainage

Appuyez pour drainer manuellement. Le drainage manuel durera 45 secondes. [Voir page 11: Drainage (Important)]



### Contrôle de l'humidité

Appuyez sur « + » / « - » pour augmenter / diminuer le niveau d'humidité désiré par incréments de 1%. Appuyez et maintenez pour augmenter / diminuer le niveau d'humidité de réglage de 5% par seconde. La plage réglable est de 30% à 90%.

## Information



### Affichage de l'humidité relative **88%RH**

Cela montrera le niveau d'humidité relative du paramètre ou de l'environnement. Par défaut, il affiche l'humidité de l'environnement. Lors du réglage de l'humidité, il affiche le réglage de l'humidité et clignote. Après 5 secondes après le dernier réglage, il affiche à nouveau l'humidité de l'environnement. (Voir page 8: Contrôle de l'humidité)

### Affichage de la température

Cela montrera la température de l'évaporateur ou de l'environnement. Lorsqu'il est à l'échelle Celsius, °C s'allume. Quand à l'échelle Fahrenheit, °F s'éteindra. Si la température à afficher est supérieure à 99 °F, la balance sera automatiquement réglée sur Celsius (Voir page 8: Commutateur de température de la bobine de l'évaporateur/environnement et Commutateur d'échelle Fahrenheit/Celsius).

### Vitesse du ventilateur

Cela montrera si la machine fonctionne à vitesse de ventilateur faible «  » ou élevée «  ». Le déshumidificateur contrôlera la vitesse du ventilateur en fonction de la température et de l'humidité de l'environnement.

### Durée totale

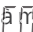
Cela montre le temps de fonctionnement total de la première utilisation au moment actuel. La durée de fonctionnement commence à compter pendant la mise sous tension de la machine. La valeur ne peut pas être réinitialisée.

## Indicateurs

### Voyant de dégivrage

Ce voyant indique que la batterie de l'évaporateur ou la température de l'environnement est trop basse. Le gel peut commencer à apparaître sur la bobine de l'évaporateur. La machine est maintenant en train de dégivrer.

### Déshumidification constante

Lorsque le niveau d'humidité est de 30%, si le bouton de contrôle de l'humidité « - » est enfoncé, clignote sur l'affichage de l'humidité. La machine passe en mode de déshumidification constante et n'arrête pas la déshumidification  mesure que l'humidité de l'environnement change.

### « OFF » Voyant

Ce voyant indique que la machine est connectée à la source d'alimentation et qu'elle est maintenant éteinte.

### Voyant de déshumidification

Lorsque ce voyant clignote, cela indique que la machine se prépare à la déshumidification. Lorsque ce voyant reste allumé, cela indique que la machine est maintenant déshumidifiée.

### Indicateur de drainage

Lorsque ce voyant clignote, cela indique que la machine est en cours de drainage. Lorsque cette lumière reste lumineuse, cela indique que le réservoir d'eau est plein.

### Codes d'erreur


Ce sont des codes d'erreur. Veuillez vous référer au Guide de dépannage pour plus d'informations.

## Commencez votre tâche

### Allumez le déshumidificateur

Appuyez sur le bouton de contrôle de puissance pour allumer la machine. Vous pouvez voir le voyant de déshumidification clignoter. Veuillez attendre 3 minute (180 secondes) jusqu'à ce que la machine ait terminé le démarrage.

### Notez l'heure de départ

- Pour le modèle XD-85LH/XD-85L2, s'il vous plaît n'oubliez pas d'écrire l'heure de départ  juste après le démarrage de la machine, si vous voulez calculer le temps d'utilisation.
- Pour le modèle XD-125Li, reportez-vous au guide de démarrage rapide.

### Réglez le niveau d'humidité désiré

- Appuyez sur le bouton de contrôle de l'humidité pour régler le niveau d'humidité. Le réglage d'humidité par défaut est de 30%. La plage de réglage va de 30% à 90% (*Voir page 8: Contrôle de l'humidité*). La machine essaiera de faire correspondre le niveau d'humidité du réglage et de le maintenir.
- Pour le modèle XD-85LH/XD-85L2, si vous voulez que la machine fonctionne constamment, réglez le niveau d'humidité sur 30%, puis appuyez sur « - » (*Voir Page 9: Déshumidification constante*). Appuyez sur « + » pour quitter le mode de déshumidification constant.
- Pour le modèle XD-125Li, reportez-vous au guide de démarrage rapide.
- Si le déshumidificateur perd son alimentation accidentellement, lorsqu'il est allumé à nouveau, le déshumidificateur fonctionnera sur la dernière configuration connue.

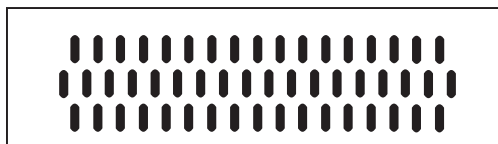
### Déshumidification

- Lorsque la machine déshumidifie, le voyant de déshumidification s'allume.
- Vous pouvez voir le voyant de déshumidification clignoter. Cela signifie que la déshumidification se met temporairement en pause ou que l'humidité de l'environnement a atteint le niveau de réglage. Veuillez attendre que la machine ait terminé le démarrage ou jusqu'à ce que le niveau d'humidité monte à nouveau.
- Le déshumidificateur contrôlera la vitesse du ventilateur en fonction de la température et de l'humidité de l'environnement.

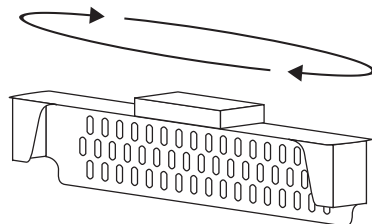
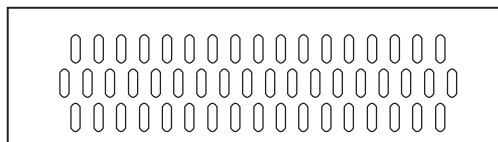
### Dégivrage

- Lorsque la bobine de l'évaporateur ou la température de l'environnement est trop basse, du givre peut apparaître sur l'évaporateur. Cela causera une plus faible efficacité de la déshumidification. La machine commencera à dégivrer jusqu'à ce que la température revienne à la normale.
- Lorsque la machine décongèle, la déshumidification s'arrête. Le voyant de déshumidification s'éteint et le voyant de dégivrage s'allume.
- Ne pas éteindre la machine pendant le processus de dégivrage.

### Admission secondaire (Ouvert)



### Admission secondaire (Fermé)



Caisse de filtre secondaire

**⚠ Important: Fermez le admission secondaire lorsque la température de l'environnement tombe sous 68 °F (20 °C) ou dans un environnement contaminé pour une meilleure efficacité**

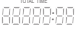
Pour fermer le admission secondaire, retirez le caisse de filtre, tournez et réinstallez.

## Drainage (Important)

- Appuyez sur le bouton de drainage manuel pour traiter le drainage manuellement. Il durera 45 secondes et n'arrêtera pas le processus de déshumidification ou de dégivrage.
- Si le réservoir d'eau est plein ou n'est pas positionné horizontalement, le Indicateur complet du réservoir d'eau s'allume. Tout processus de déshumidification ou de dégivrage se mettra en pause et la machine traitera automatiquement le drainage pendant 45 secondes. Ensuite, si le réservoir d'eau est encore détecté plein, un code d'erreur sera affiché (*Voir page 9: Codes d'erreur or page 15: Guide de dépannage*).
- Lorsqu'elle est éteinte, la machine traite automatiquement le drainage pendant 60 secondes. Veuillez attendre que ce processus soit terminé.
- Veuillez ne pas soulever le tuyau de drainage à plus de 16 pieds (5 m) au-dessus de la machine.

## Commencez votre tâche (Suite)

### Calculez le temps d'utilisation

- Pour le modèle XD-85LH/XD-85L2, s'il vous plaît n'oubliez pas d'écrire l'heure de fin  juste avant que la machine s'arrête.
- Comparez l'heure de début et l'heure de fin pour calculer le temps d'utilisation.
- Pour le modèle XD-85LH/XD-85L2, reportez-vous au guide de démarrage rapide.

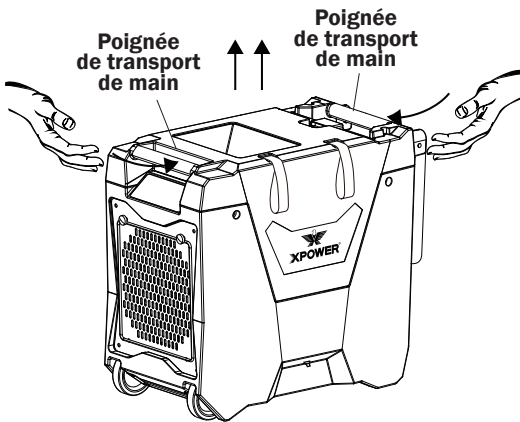
### Désactiver le déshumidificateur

Appuyez sur le bouton de contrôle de puissance pour éteindre la machine. Lorsqu'elle est éteinte, la machine traite automatiquement le drainage pendant 60 secondes. Veuillez attendre que ce processus soit terminé.

## Transport

### Avant le transport, vous devriez toujours:

- Traiter un drainage manuellement. Sinon, l'eau pourrait déborder et pénétrer dans les parties centrales de la machine pendant le transport. Cela peut également annuler la garantie.
- Déconnectez la machine de la source d'alimentation.
- Retirez toute la configuration de l'extension et désinstallez le cordon d'alimentation et le tuyau de drainage.

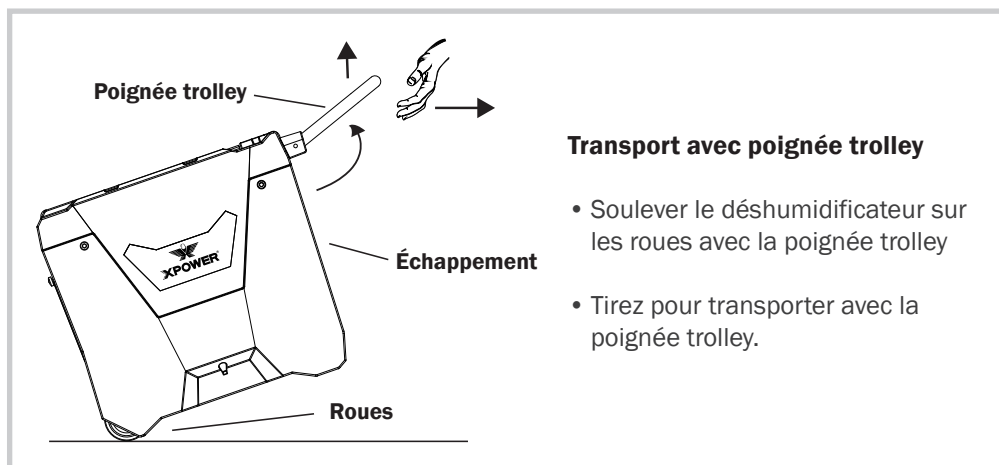


### Soulever avec des poignées de transport de main

- Soulevez le déshumidificateur avec les deux poignées de transport des deux extrémités sur le dessus.
- Soyez conscient du poids de la machine.

**⚠ ATTENTION:** n'utilisez pas le cintre comme poignées de transport.

## Transport (Suite)



## Instructions d'entretien de l'utilisateur (Suite)

La maintenance fréquente est recommandée sur cet appareil. Le non-respect des instructions d'entretien peut entraîner une défaillance de l'appareil et annuler la garantie.

### Avant la maintenance ou le stockage, vous devez toujours:

- Traiter un drainage manuellement.
- Déconnectez la machine de la source d'alimentation.
- Supprimer toute la configuration de l'extension.

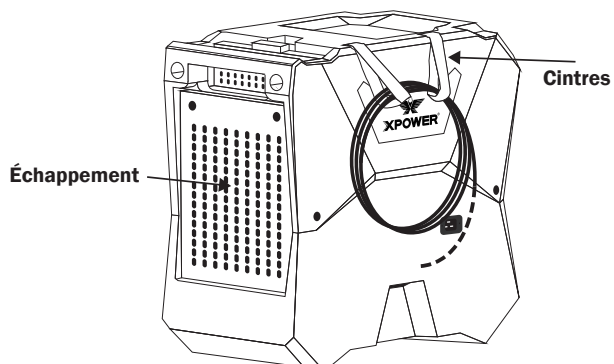
### Nettoyer la surface

- Essuyez la surface du boîtier avec un chiffon humide. Ne pas nettoyer l'appareil avec de l'eau directement.
- Ne nettoyez pas les ailettes de l'évaporateur et du condenseur par vous-même.

### Rangez la machine

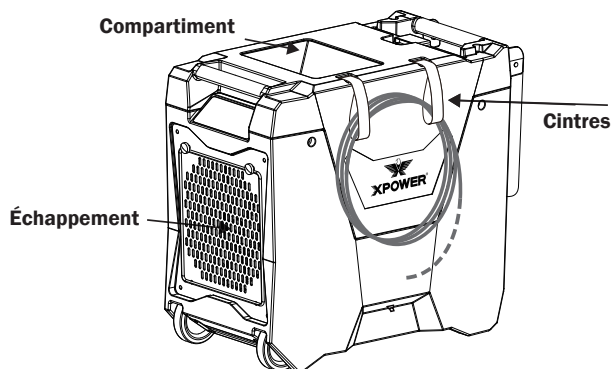
- Rangez l'appareil dans un endroit sec à l'intérieur et le laissez refroidir. Assurez-vous qu'il est hors de portée des enfants.
- **IMPORTANT:** assurez-vous que la machine est correctement positionnée.
- Si vous souhaitez empiler cet appareil, empilez-le sur le dessus avec la même orientation.
- NE PAS empiler plus de trois unités de cet appareil.

## Organiser le cordon et le tuyau de drainage



### Pour le modèle XD-85LH:

- Retirez le cordon / le tuyau de drainage de la sortie de la machine.
- Ouvrez le velcro sur les cintres.
- Accrochez le cordon / le tuyau de drainage sur les supports et fermez le velcro.

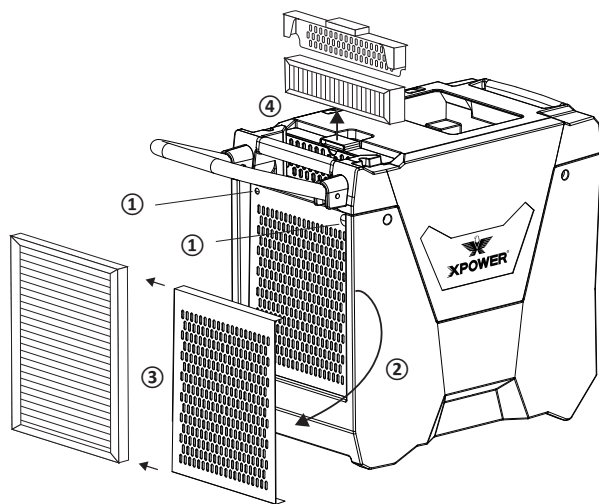


### Pour le modèle XD-85L2 / XD-125Li:

- Retirez le tuyau de drainage de la sortie de la machine.
- Ouvrez le velcro sur les cintres.
- Accrochez le tuyau de drainage sur les supports et fermez le velcro.
- Rangez le cordon d'alimentation ou le tuyau de vidange dans le compartiment.



## Stocker ou remplacer les filtres



- ① Dévisser les deux vis.
- ② Retirer la grille du filtre.
- ③ Retirer le filtre primaire de la grille.
- ④ Sortez le caisse de filtre secondaire et filtre secondaire de la fente.

- Nettoyer et laver les filtres avec de l'eau.
- Stocker le filtre dans un endroit sec et frais dans un contenant scellé.
- Remplacez les filtres si nécessaire.

## Guide de dépannage

PROBLÈME	CAUSE POSSIBLE	SOLUTION
Le déshumidificateur ne démarre pas	Aucune électricité.	Vérifiez l'alimentation.
	Le cordon d'alimentation est mal branché.	Débranchez et rebranchez le cordon d'alimentation.
Appareil fonctionne mais le niveau d'humidité ne diminue pas	Le système de déshumidification est dans le processus de démarrage.	Attendre 3 minutes (180 secondes) jusqu'à ce que le voyant de déshumidification cesse de clignoter.
	Le réglage du niveau d'humidité est trop élevé.	Diminuer le réglage du niveau d'humidité.
	La zone de travail n'est pas fermée.	Assurez-vous que la zone est bien scellée.

# Guide de dépannage (Suite)

PROBLÈME	CAUSE POSSIBLE	SOLUTION
Appareil fonctionne mais le niveau d'humidité ne diminue pas	Il y a d'autres sources d'humidité dans la pièce.	Retirez ces sources ou attendez qu'elles se volatilisent complètement.
	Le niveau d'humidité a atteint le niveau de réglage.	Diminuez le réglage du niveau d'humidité, réglez le mode de déshumidification constant, attendez que le niveau d'humidité monte à nouveau.
	La machine était inclinée et n'était pas positionnée en position verticale pendant un temps suffisant avant utilisation.	Positionner la machine à la verticale sur une surface plane et attendre au moins 4 heures avant la prochaine utilisation.
	Le filtre à air ou l'entrée/sortie d'air est bloqué.	Supprimer le blocage.
	La température de l'environnement est trop basse / trop élevée ou le niveau d'humidité est trop bas.	Le déshumidificateur est conçu pour fonctionner dans un environnement avec une température de 33 °F à 105 °F (0,6 °C à 40,6 °C) et un taux d'humidité relative de 20% et plus. Assurez-vous que la température / humidité ambiante ne dépasse pas cette plage.
L'eau sur le sol	Le tuyau de drainage est desserré.	Serrer la connexion du tuyau de drainage.
Bruit soudain	La machine démarre le processus de drainage.	La pompe à eau peut créer des sons pendant le fonctionnement. C'est un son normal.

# Guide de dépannage (Suite)

## Codes d'erreur

CAUSE POSSIBLE	CODES D'ERREUR		SOLUTION
	XD-85LH, XD-85L2	XD-125Li	
Panne de la fonction Bluetooth / WiFi.	N/A	E0	Contactez XPOWER pour plus d'assistance.
Le moteur est bloqué ou ne peut pas fonctionner.	E1 or E6	E9 or E10	Supprimez le blocage ou contactez XPOWER pour plus d'assistance.
Défaillance du capteur de température.	E2	E2 or E12	La déshumidification peut fonctionner mais vous ne pourrez pas voir la température / l'humidité sur l'écran. Contactez XPOWER pour plus d'assistance.
Défaillance du capteur d'humidité.	E3	E1 or E11	
Défaillance de la pompe à eau.	E4	E3	Contactez XPOWER pour plus d'assistance.
La machine n'est pas positionnée correctement.			Positionnez la machine sur une surface plane.
Le tuyau de drainage est bloqué.			Supprimer le blocage.
Défaillance du capteur de dégivrage.	E5	E4 or E5	La déshumidification peut fonctionner mais dégivrera pendant 5 minutes toutes les demi-heures. Contactez XPOWER pour plus d'assistance.

Si le guide de ne résout pas votre problème, veuillez contacter XPOWER ou d'autres parties autorisées par XPOWER pour obtenir des instructions supplémentaires.

# Spécifications techniques

NUMÉRO DE MODÈLE	XD-85LH	XD-85L2	XD-125Li
Tension / Fréquence	115 V~60 Hz		
Ampérage	6,7 A		7.9 A
Température de fonctionnement/humidité relative requise	33 °F - 105 °F (0,6 °C to 40,6 °C) / 20% RH ou plus		
Débit d'air nominal	180 CFM*		420 CFM*
Contrôle de vitesse	Automatique		
Efficacité d'évacuation de l'eau 105 °F (40,6 °C) / 20% RH	22 Chopines (10,4 L)/Jour		55 Chopines (26 L)/Jour
Efficacité d'évacuation de l'eau 80 °F (26,7 °C) / 60% RH	85 Chopines (40 L)/Jour		125 Chopines (59 L)/Jour
Efficacité d'évacuation de l'eau 90 °F (32,2 °C) / 90% RH	150 Chopines (71 L)/Jour		220 Chopines (104 L)/Jour
Compartiment	N/A	Oui	
Compteur de temps	Jusqu'à 9999 heures 50 minutes		Jusqu'à 99999 heures 59 minutes
Type de filtre	Filtre en acier inoxydable		
Longueur du cordon	25 pieds / 7,6 m	10 pieds / 3,0 m	25 pieds / 7,6 m
Longueur du tuyau de drainage	40 pieds / 12,0 m		
Dimension unitaire (L) x (W) x (H)	13,1 x 31,5 x 22,6 pounces / 33,3 x 80,1 x 57,5 cm	13,1 x 32,3 x 22,5 pounces / 33,2 x 82,1 x 57,1 cm	25,0 x 17,6 x 18,7 pounces / 63,6 x 44,6 x 47,4 cm
Poids de l'unité	71,0 lbs. / 32,2 kg	70,5 lbs. / 32,0 kg	88,2 lbs. / 40,0 kg
Certification de sécurité	ETL/C-ETL		

\*CFM (Cubic Feet per Minute): Pieds cubes par minute.

Si votre produit ne figure pas ci-dessus, veuillez consulter [www.xpower.com](http://www.xpower.com) pour plus d'informations.

# XPOWER Garantie limitée (États-Unis) (Suite)

## **GARANTIE LIMITÉE DE 1 AN**

Produits de marque XPOWER-achetés aux États-Unis auprès des distributeurs autorisés une garantie limitée de 1 an. Contactez XPOWER pour confirmer les informations de garantie sur votre produit.

Cette garantie limitée couvre les défauts de matériaux et de fabrication dans vos produits de marque XPOWER, achetés **UNIQUEMENT AUX ÉTATS-UNIS**. La politique de garantie locale (le cas échéant) dans votre pays couvrira les produits achetés à l'extérieur aux États-Unis.

### **⚠ IMPORTANT:**

- (1) Veuillez terminer l'enregistrement de la garantie en ligne avant l'utilisation. Visitez [www.xpower.com/service-support/warranty-registration](http://www.xpower.com/service-support/warranty-registration).
- (2) Cette garantie limitée s'applique à son propre respect des délais. Contactez XPOWER ou visitez [www.xpower.com](http://www.xpower.com) pour plus d'informations.

### **Les éléments mentionnés, mais sans s'y limiter ci-dessous ne sont pas couverts par la garantie:**

- (1) Cordon d'alimentation, filtres ou tout autre composant considéré comme « pièces consommables » par XPOWER.
- (2) Usure normale.
- (3) Les problèmes qui en résultent, directement ou indirectement, à la seule discrétion de XPOWER, de:
  - (3.1) Causes externes, comme un accident, un usage abusif ou des problèmes avec l'alimentation électrique.
  - (3.2) Le démontage, l'entretien ou la modification non autorisée par XPOWER.
  - (3.3) L'utilisation non conforme aux instructions du produit indiquées dans le manuel d'emploi.
  - (3.4) L'échec de suivre les instructions du produit ou de l'absence d'entretien nécessaire indiqué dans le manuel d'emploi.

### **Avant de contacter XPOWER, veuillez essayer une ou plusieurs des éléments suivants:**

- (1) Consultez le manuel d'emploi et suivez les instructions du guide de dépannage.
- (2) Accédez [www.xpower.com](http://www.xpower.com) pour plus de conseils et d'informations qui pourraient être utiles pour répondre à vos problèmes.

# XPOWER Garantie limitée (États-Unis) (Suite)

## **Si vous avez besoin d'aide supplémentaire de XPOWER, veuillez:**

- (1) Email [info@xpower.com](mailto:info@xpower.com).
- (2) Appeler Département de service à la clientèle de XPOWER aux États-Unis au 855-855-8868 ou d'autres chiffres fournis sur [www.xpower.com](http://www.xpower.com).
- (3) Visitez Siège social de XPOWER États-Unis au [668 S. 6th Ave., City of Industry, CA 91746](https://www.xpower.com) ou l'adresse la plus récente fournie sur [www.xpower.com](http://www.xpower.com).

Veuillez avoir également votre preuve d'achat originale et le numéro de série de votre produit lorsque vous contactez XPOWER.

## **Si vous êtes averti à retourner l'unité pour le service ou le remplacement, veuillez:**

- (1) Demandez un numéro d'autorisation de retour de marchandise ou RMA (Return-Merchandise-Authorization).
- (2) Utilisez l'original ou un emballage équivalent, payez en l'avance les frais d'expédition à vos propres frais à l'adresse fournie par XPOWER, avec le RMA numéro sur l'étiquette d'expédition ou l'emballage.
- (3) Y compris toutes les pièces et composants d'origine.

XPOWER inspectera, évaluera et conseillera les réparations nécessaires et les coûts applicables, le cas échéant. Pour les produits sous garantie, nous paierons pour vous expédier le produit réparé ou remplacé (s) si vous utilisez une adresse dans les États-Unis. Sinon, nous vous expédierons le produit (s) à vos frais.





**XPOWER Manufacture, INC.**

668 S. 6th Ave.,

City of Industry, CA 91746 USA

[www.xpower.com](http://www.xpower.com) | 1-(855)-855-8868 | [info@xpower.com](mailto:info@xpower.com)

Read and save these instructions  
Lea y guarde estas instrucciones  
Lisez et épargnez ces instructions

---

Index: NA-1-A1  
Edition: 7.1.Final