



PROFESSIONAL AIR MOVER
OWNER'S MANUAL

X-600 / X-600A / X-630
P-600 / P-630

XPOWER MANUFACTURE, INC.
220 Clary Avenue
San Gabriel, CA 91776, USA
Tel: 626-285-3301, Fax: 626-285-3302
www.xpower.ws



PLEASE READ AND SAVE THESE INSTRUCTIONS

Index

Introduction	2
Operation / Instructions.....	3
Safety Instructions.....	4
Maintenance Instructions / Troubleshooting.....	5
Specifications.....	6
Warranty / Service	7
Parts List	8
Daisy Chain Specifications / Accessories	9
Warranty Registration Form	10

Introduction

XPOWER Air Movers are ETL/CETL/CE/GS certified and multifunctional Air Mover with the most efficient engineering design. All XPOWER Air

Features:

- Low power draw with a velocity over 2400 CFM when switch on High.
- Super quiet and super light weight.
- Optional Easy clean filter system.
- Easy carrying and storage stackable.
- Easily disassembled for thorough cleaning and service.
- “Power cord” lengths are 20’/25’ in US and 10’ for Canada
- Easy cord wrap on handle
- Safety screens on open vents.
- 3 speed switch.
- 4 air flow positions (0°, 20°, 45°, 90°).



- Durable and rugged housing with 5 Years Warranty.

Operation / Instructions

XPOWER Air Movers are intended to move air and to dry floors, walls, furniture, etc. Durable and easy to operate with an effective balance of static pressure and airflow, the units are suitable for a variety of applications.

1. XPOWER Air Movers are shipped ready to be put into service. Prior to plugging the unit into the power source, inspect completely for any shipping damage.
2. Plug the electrical cord into the power outlet.
3. Carefully place the Air Mover unit on a stable, flat dry surface.
4. The unit has four air flow positions, capable to aim airflow across flat surfaces or angled upward.
5. Turn the switch to desired speed and make sure it is operating correctly.
6. All Air Movers in operation must be supervised at all times.



AIR MOVER STORAGE:

Air Movers can be stacked (up to 4) on their sides for storage.

NOTICE:
1. Stacking feature is not secure for transportation.
2. Remove the filters before stacking.

Safety Instructions

1. To prevent electric shock, do not operate the unit in standing water. Never plug in or unplug the unit with wet hands or while standing in water.
2. To avoid risk of injury, do not direct air flow at face or body.
3. To reduce the risk of fire or electric shock, do not use the Air Mover with any solid-state speed control device.
4. Use only with GFCI protected receptacles. Please contact a qualified electrician for verification and / or installation of a GFCI receptacle if necessary.
5. Do not operate any Air Mover with a damaged cord or plug. Discard the unit or return it to an authorized service facility for examination and/or repair.
6. Unplug the Air Mover from the power supply before servicing or cleaning.
7. Do not run the power cord under carpeting. Do not cover the power cord with throw rugs, runners, or similar coverings. Place the power cord away from traffic area to prevent tripping.
8. Do not allow children to play with or around an Air Mover at any time.
9. Do not move or carry an Air Mover while unit is operating.
10. All Air Movers in operation must be supervised at all times.

Maintenance Instructions

1. To keep the Air Mover clean, use a damp cloth to wipe the surface of the housing.
2. Never clean the Air Mover with water.
3. When not in use, unplug and store the Air Mover in a dry indoor place out of reach of children.
4. Always disconnect the Air Mover from its power source before performing any maintenance or cleaning.
5. Clean the filters (optional item) as often as necessary to avoid loss of airflow.

Troubleshooting

For any problems not listed below, call your local distributor or contact our Service Department.

PROBLEM	POSSIBLE CAUSE	SOLUTION
Air Mover not running	No power input	Plug in the Air Mover; check circuit breaker
	Switch not turned on	Turn on switch
	Air Mover fan wheel jammed	Remove material jamming fan wheel
	Intake or exhaust blocked	Turn unit off and allow to cool, then remove blockage
Air over vibrates excessively	Accumulation of dirt on fan blades	Clean Air Mover fan blades

Specifications

Model	X-600	P-600	X-600A	X-630	P-630
Power	1/3 hp	1/3 hp	1/3 hp	1/2 hp	1/2 hp
Amp	3.8 A	3.8 A	3.8 A	5 A	5 A
Weight	20 lbs	19 lbs	20 lbs	21 lbs	20 lbs
Speeds	Three	Three	Three	Three	Three
Size (H x W x D)	16 x 16 x 16 in.	16 x 16 x 16 in.	16 x 16 x 16 in.	16 x 16 x 16 in.	16 x 16 x 16 in.
Daisy Chain	N.A	N.A	YES	N.A	N.A
Cord Length	25 ft	20 ft	25 ft	25 ft	20 ft
Overheating Protecting	Thermally Protected	Thermally Protected	Thermally Protected	Thermally Protected	Thermally Protected
Rated Airflow (on high)	2400 CFM	2400 CFM	2400 CFM	2800 CFM	2800 CFM
Positions	4 (0°, 20°, 45°, 90°)	4 (0°, 20°, 45°, 90°)	4 (0°, 20°, 45°, 90°)	4 (0°, 20°, 45°, 90°)	4 (0°, 20°, 45°, 90°)
Housing	ABS	PP	ABS	ABS	PP
Safety Marks	ETL / C-ETL	ETL / C-ETL	ETL / C-ETL	ETL / C-ETL	ETL / C-ETL
Filter System	Optional	Optional	Optional	Optional	Optional

XPOWER LIMITED WARRANTY

XPOWER Warranty covers the unit from defects in materials and craftsmanship. The Warranty covers normal use for a term of one year from the original date of purchase including parts, labor and one way shipping. The XPOWER Air Mover Housing is covered for a term of five years from the date of original purchase.

Important !

Warranty does not cover signs of misuse including, but not limited to, a unit that has been dropped, subjected to water damage, tampered with, improper voltage use and unauthorized maintenance and repairs. The POWER CORD and FILTERS are not covered by the warranty.

Service

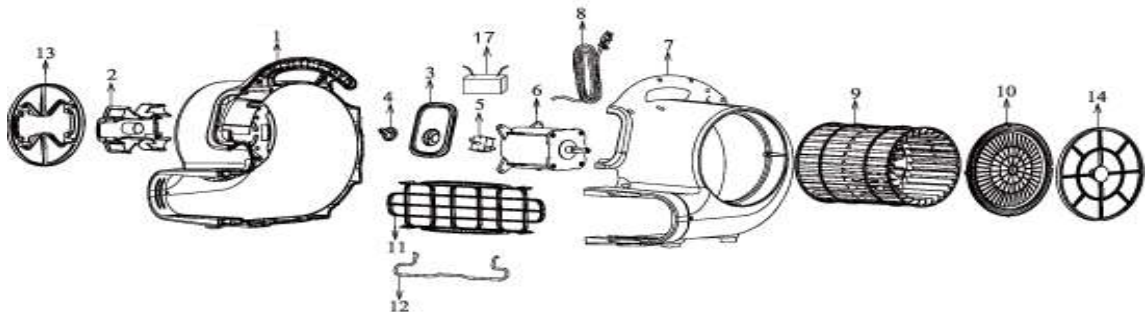
In order to receive service or replacement parts under warranty, you must:

- A. Must Call for a Return Merchandise Authorization (RMA) number through Service Department and obtain ship back instructions.
- B. Must have original proof of purchase.
- C. Must use original none damaged packaging or Industrial certified packaging method.

The end user will be responsible to ship the unit (with the RMA number showing on the shipping label) to the XPOWER Service Department. Upon inspection, we will advise you of the repairs needed and the cost (if applicable). XPOWER will provide repair or replacement parts depending on warranty.

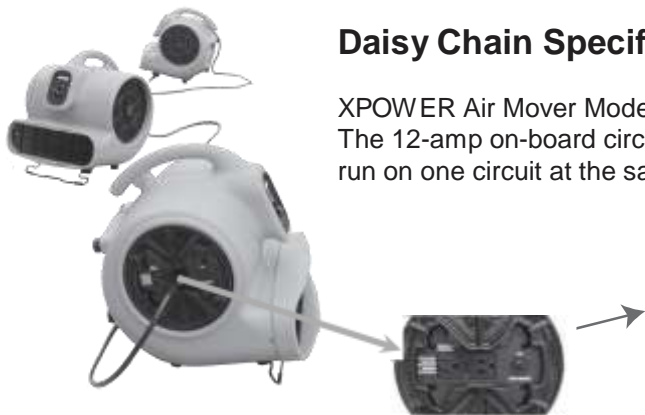
600 Series Parts List

Item No.	Parts Name	Item No.	Parts Name
600-1	Left Housing	600-2	Grid Cover (Motor Side)
600-3	Switch Plate	600-4	Switch Knob
600-5	Switch Plate	600-6	Motor
600-7	Right Housing	600-8	Power Cord
600-9	Fan	600-10	Grid Cover (Fan Side)
600-11	Air Outlet Grid Cover	600-12	Kick Stand
600-13	Filter I (Motor Side)	600-14	Filter II (Fan Side)
600-15	Rubber Feet (Not Shown)	600-16	Screws and Nuts (Not Shown)
600-17	Capacitor		



Daisy Chain Specifications (applicable for model X-600A)

XPOWER Air Mover Model X-600A is daisy chainable with a low 3.8 amp draw. The 12-amp on-board circuit breaker will allow two (2) additional X-600A units to run on one circuit at the same time.



Note:

Air Mover has an on-board circuit breaker. If the auxiliary outlet overloads, the circuit breaker will trip. If the breaker trips, unplug the units and press the circuit breaker reset button.

Plug the units back into the power source and turn on the switch.

Filters (optional)

Accessories

A set of filters is available for the XPOWER Air Mover which will help prevent small debris and dust from entering the Air Mover. To clean the filters: remove filters from the unit and wash with warm soapy water, rinse with clean water and let dry thoroughly before reinstalling.

Installation:

Filters snap into the air inlets.

Note:

Filter I is for the Motor side,
Filter II is for the Fan side



Filter Removal:

Pull the filters out of the blower.

Note:

After cleaning make sure
the filters are dry before
installing.



WARRANTY REGISTRATION

Please complete and mail or fax for your product warranty. For a multiple units, please list serial numbers on a separate sheet of paper. Address: XPOWER MANUFACTURE, INC. 220 Clary Avenue San Gabriel, CA 91776, USA
Tel: (626) 285-3301; Fax: (626) 285-3302

Company Name / Contact Person / Title _____

Address _____ City _____

State / Province _____ Zip _____ Country _____

Phone _____ Fax _____ E-mail _____

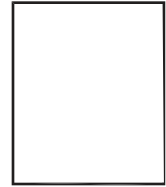
Model # _____ **Serial #:** _____

Date of Purchase ____/____/____ **Purchased From** _____

Additional Comments / Suggestions _____



From: _____



TO:

XPOWER MANUFACTURE, INC.

220 Clary Avenue

San Gabriel, CA 91776, USA

Tel: (626) 285-3301; Fax: (626) 285-3302

