



PLEASE READ AND SAVE THESE INSTRUCTIONS

**MISTING FAN**  
**OWNER'S MANUAL**

MODEL: FM-48 (115V/60HZ)



XPOWER MANUFACTURE, INC.  
240 Clary Avenue  
San Gabriel, CA 91776, USA  
Tel: 626-285-3301 Fax: 626-285-3302  
[www.xpower.com](http://www.xpower.com)



## **TABLE OF CONTENTS**

Introduction.....	3
Operation Instrusctions .....	4, 5
Safety Instructions.....	6, 7
User Servicing Instructions.....	8
Specifications.....	9
Troubleshooting .....	10
Parts List .....	11
More XPOWER Products.....	12, 13
XPOWER Warranty / Service .....	14
Warranty Registration Form .....	15, 16

## Introduction

XPOWER Misting Fans are ETL & C-ETL certified professional level multi functional blowers / fans with the most efficient engineering design.

Features:

- Low power draw with a high velocity air flow up to 600 CFM
- Super quiet and super light weight
- Easy and quick to disassemble for thorough cleaning and service
- Convenient cord and water hose wrap design
- Power cord length up to 7' / Water hose length up to 10'
- 3 Speed switch
- Safety screens on open vents
- In-line GFCI cord for safe outdoor use
- Fused end plug
- Durable and rugged housing with 1 year warranty

## Operation Instructions

XPOWER Misting Fans are intended to deliver a fine mist to cool and refresh outdoor areas up to 30 °F. Durable and easy to operate with an effective balance of airflow and misting, the units are suitable for a variety of applications.

1. XPOWER Misting Fans are shipped ready-to-use. Prior to plugging the unit into the power source, inspect completely for any shipping damage.
2. Screw on the misting nozzles if they were removed during storage.
3. Unwrap the electrical cord and water hose. Connect the hose adapter to a standard garden faucet if misting function is needed.
4. Plug the electrical cord into a 3-prong outlet.
5. Carefully place the unit on a stable, flat dry surface.
6. Turn the switch to desired speed and rotate the machine to desired position, while making sure unit operates normally. Turn on the faucet and the switch on the hose adapter.



**Adjust the misting angle**

(Continued at Page 5)

7. All units in operation must be supervised at all times.
8. When finished, turn off the faucet and the switch on the hose adapter. Then turn off and unplug the Misting Fan. Wrap the water hose first around the handle on the Misting Fan and then the electrical cord.



## **Safety Instructions**

1. This fan is an outdoor product and is NOT intended for indoor use. Do not leave the fan unattended when it is plugged in.
2. To prevent electric shock, do not operate the unit in standing water. Never plug in or unplug the unit with wet hands or while standing in water.
3. To avoid risk of injury, do not redirect air flow at face or body.
4. **WARNING**-To reduce the risk of fire or electric shock, do not use this fan with any solid-state speed control device.
5. **CAUTION**: To reduce the risk of the electric shock, connect only to an outlet provided with a ground fault circuit interrupting device. Please contact a qualified electrician for verification and / or installation of a GFCI receptacle if necessary.
6. Automatically operated device – To reduce the risk of injury, disconnect from power supply before servicing.
7. Do not operate the Misting Fan with a damaged cord or plug. Discard the unit or return it to an authorized service facility for examination and / or repair.
8. Unplug the Misting Fan from the power supply before servicing or cleaning.
9. Do not run the power cord under carpeting. Do not cover the cord with throw rugs, runners, or similar coverings. Do not route cord under furniture or appliances. Arrange cord away from traffic area and where it will not be tripped over.
10. Do not allow children to play with or around the Misting Fan at any time.
11. Do not move or carry the Misting Fan while the unit is operating.
12. Always place the Misting Fan on a smooth and level surface for safe operation.
13. Any misuse or abuse of this product will void its warranty.

## Safety Instructions

14. This product employs overload protection (fuse). A blown fuse indicates an overload or short-circuit situation. If the fuse blows, unplug the product from the outlet. Replace the fuse as per the user servicing instructions (follow product marking for proper fuse rating) and check the product. If the replacement fuse blows, a short-circuit may be present and the product should be discarded or returned to an authorized service facility for examination and /or repair.
15. Turn off water at the source before changing the nozzle or after each use.
16. This Fan must NOT be used in potentially dangerous locations such as flammable, explosive, chemical-laden or where gasoline, paint or flammable liquids are used or stored.
17. This Fan is not suitable for use in agricultural facilities including areas where livestock, poultry or other animals are confined.

The power cord is equipped with a three-prong, grounded fused end plug with a in-line GFCI (Ground Fault Circuit Interrupter). It must be inserted into a grounded receptacle. Under no circumstances must the grounding prong be cut off the plug.

**WARNING:** Do not use a three-prong to two-prong adapter.



**WARNING**

RISK OF ELECTRIC SHOCK. Test GFCI before each use.

1. Plug into power outlet, indicator is "ON".
2. Press TEST button, indicator is "OFF".
3. Press RETEST button again when using the Misting Fan.

**DO NOT USE IF TEST FAILS.**



## User Servicing Instructions

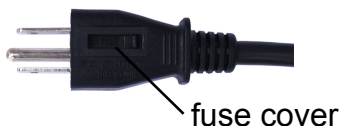
1. To keep the Misting Fan clean, use a damp cloth to wipe the surface of the housing.
2. To clean the misting nozzles, disassemble the nozzles (See pictures below) and soak the parts with soapy water or mild (or alkaline) detergent for several hours. Do not use vinegar or other acidic detergent. When finished, dry the surfaces completely and reassemble the parts.



3. When not in use, screw off the misting nozzles, unplug and store the Misting Fan and nozzles in a dry indoor place out of reach of children. The nozzles must be dried completely before stored.
4. Always disconnect the Misting Fan from its power source before maintenance or cleaning.

### **Replace the fuse:**

1. Grasp plug and remove from the receptacle or other outlet device. Do not unplug by pulling on cord.
2. Slide open the fuse cover on top of attachment plug towards blades.
3. Remove the fuse carefully.
4. Risk of fire. Replace fuse only with 5A,125 Volt fuse.
5. Slide closed the fuse cover on top of the attachment plug.
6. Risk of fire. Do not replace attachment plug contained a safe device(fuse) that should not be removed. Discard product if the attachment plug is damaged.





## Specifications

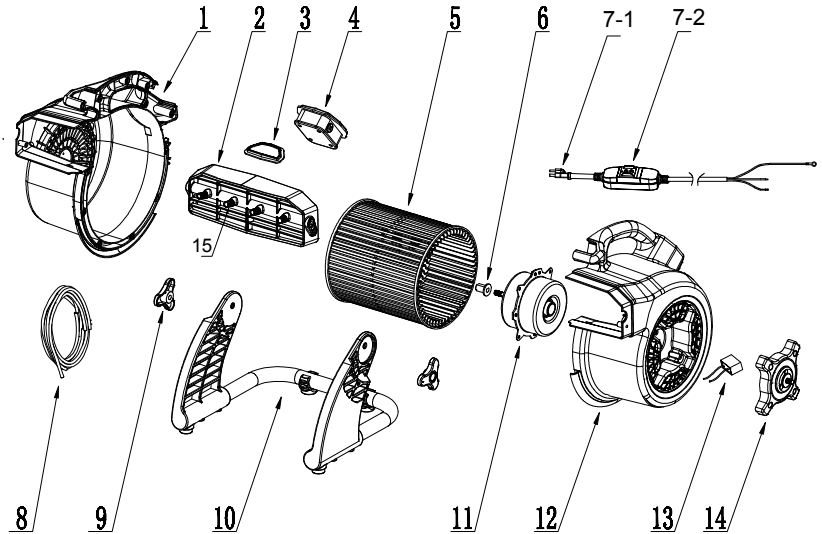
<b>Model Number</b>	FM-48	<b>Certification</b>	ETL / C-ETL
<b>Volt / Frequency</b>	115V / 60Hz	<b>RPM</b>	900 / 1150 / 1400
<b>Power</b>	138 Watts	<b>Speeds</b>	3 Speed
<b>Amp</b>	1.2 Amps	<b>Unit / Box Weight</b>	10.1 lbs. / 11.7 lbs.
<b>Rated Airflow (On High)</b>	600 CFM	<b>Unit / Box Dimension (L x Wx H)</b>	13.3" x 12.3" x 15.2" / 13.6"x 12.7" x 14.6"
<b>Power Cord (Length )</b>	7'	<b>Housing</b>	PP
<b>Water Hose Length</b>	10'		

## Troubleshooting

<b>PROBLEM</b>	<b>POSSIBLE CAUSE</b>	<b>SOLUTION</b>
Misting Fan not running	No power input / Switch not turned on	Check outlet / switch to another outlet, make sure unit is plugged in and switch is turned on.
	Intake or exhaust blocked	Turn unit off to cool down, then remove blockage
	Fan jammed	Remove material jamming the fan
	Wiring failure / Motor Failure	contact XPOWER Customer Service
Misting Fan vibrates / makes noise	Fan jammed / broken	Remove material jamming the fan or contact XPOWER Customer Service
Nozzles not misting	No water supply	Check water supply / Make sure the water hose is connected and switch is turned on.
	Nozzle jammed	Clean the nozzle according maintenance instructions

## Parts List

Item No.	Parts Name
1	Left housing
2	Air outlet grid cover
3	Panel
4	Switch assembly
5	Fan
6	Shaft sleeving
7-1/7-2	Plug / GFCI
8	Water hose
9	Rack knob
10	Rack
11	Motor
12	Right housing
13	Capacitor
14	Grid Cover
15	Misting nozzles



## More XPOWER Products Available

### Jan/San - Restoration & Mitigation Equipment:

- Centrifugal Fans
- Low Profile Air Movers
- Scented Air Mover Fans
- Airrow Pro Blower
- Confined Space Fans
- Axial Fans
- High Temp Axial Fans
- Air Scrubbers
- Dehumidifiers
- Misting Fans



## Inflatable Advertising Equipment:

High Static Blowers  
Centrifugal Blowers  
Vertical Advertisement Blowers  
Air Pumps



## Professional & Retail Pet Grooming Equipment:

Professional Pet Grooming Dryers  
DIY Pet Grooming Dryers  
Air Care Equipment



Learn more at [www.xpower.com](http://www.xpower.com) or call 1-855-855-8868

## **XPOWER Limited Warranty (USA)**

XPOWER's Limited Warranty covers the unit (excludes power cord, motor brushes, and any other consumable parts) from defects in material and craftsmanship. The Warranty covers normal use for a term of one year from the original date of purchase including parts, labor, and one way shipping. Non-contiguous states must pay for roundtrip freight. Warranty honored with original proof of purchase only.

### **Important!**

This Warranty does not cover or apply to defects directly or indirectly due to misuse, abuse, disassembly, alteration, corrosive chemicals, improper voltage, fire, flood, negligence, accident, improperly or incorrectly performed maintenance or repair, or failure to perform necessary maintenance or repair, or if the use of this product is not in compliance with the instructions and specifications for its use.

### **Service**

For Warranty service and parts replacement (US customer only), you must:

- A. Call 1-855-855-8868 for a RMA (Return-Merchandise-Authorization) number.
- B. Have original proof of purchase provided.
- C. Use the original undamaged packaging or an industrial certified packaging method.

End user will be responsible for shipping the unit (with RMA Number showing on the shipping label) to XPOWER Customer Service Department. XPOWER will inspect, assess and advise the repairs needed and applicable cost, if any.

For users outside US, please contact an XPOWER Distributor in your country or region for warranty service and parts replacement.

## Warranty Registration (for US customer only)

For your product warranty, please complete and mail / fax this form to XPOWER MANUFACTURE, INC.

Address: 240 Clary Ave., San Gabriel, CA 91776.

Tel: 626-285-3301

Fax: 626-285-3302

(For your convenience, register your product online at [xpower.com](http://xpower.com))

Company Name / Contact Person / Title \_\_\_\_\_

Address \_\_\_\_\_ City \_\_\_\_\_

State / Province \_\_\_\_\_ Zip \_\_\_\_\_ Country \_\_\_\_\_

Phone \_\_\_\_\_ Fax \_\_\_\_\_ E-mail \_\_\_\_\_

**Model #** \_\_\_\_\_ **Serial #:** \_\_\_\_\_

**Date of Purchase** \_\_\_\_/\_\_\_\_/\_\_\_\_ **Purchased From** \_\_\_\_\_

**Additional Comments / Suggestions** \_\_\_\_\_



From: \_\_\_\_\_  
\_\_\_\_\_  
\_\_\_\_\_



TO:  
XPOWER MANUFACTURE, INC.  
240 Clary Avenue  
San Gabriel, CA 91776, USA  
Tel: 626-285-3301, Fax: 626-285-3302

