

PLEASE READ AND SAVE THESE INSTRUCTIONS



VERTICAL ADVERTISEMENT BLOWER
OWNER'S MANUAL

BR-430, BR-450, BR-460,
BR-430L, BR-450L, BR-460L

XPOWER MANUFACTURE, INC.
668 S. 6th Ave.,
City of Industry, CA 91746, USA
Tel: 626-285-3301, Fax: 626-285-3302
www.xpower.com



Index

Introduction	2
Operation / Instructions.....	3
Safety Instructions.....	4
Maintenance Instructions / Troubleshooting.....	5
Specifications.....	6
Warranty / Service	7
Parts List	8
Accessories	9
Warranty Registration Form	10

Introduction

XPOWER BR-430(L), BR-450(L) and BR-460(L) series blowers are designed for vertical advertisement inflatables. The model BR-460(L) is ETL/CETL certified.

Features:

- Low power draw with an high velocity air flow up to 5800 CFM
- Super compact and lightweight motor design
- Easy carry with 2 built-in handles
- Power cord lengths are 15' for 430 and 450 models, and 25' for 460 models
- Easy Cord wrap
- 4 lockable wheels on a unitary roller base for 450 and 460 models
- 2-speed switch for 450 and 460 models.
- Durable and rugged housing with 1 year warranty
- The Models with “L” provide sleeve advertising illumination with energy-saving LED lights
- Outtake attached with Velcro (male) strap
- Nylon pull cord for mobility for 450 and 460 models

Operation / Instructions

XPOWER Vertical Advertisement Blowers are used to inflate advertising sleeve units. Durable and easy to operate with an effective balance of static pressure and airflow. The units are suitable for a variety of advertising applications with or without high intensity, internal sleeve illumination.

1. XPOWER Vertical Advertisement Blowers are shipped ready-to-use. Before plugging the unit into the power source, inspect completely for any shipping damage.
2. A support rod (SDSK) is designed to stabilize the vertical inflatable advertisement. Especially for large inflatable, the SDSK can help to balance inflatable. See page 9 for assembly.
3. Snugly attach the inflatable advertisement around the Velcro strap on the blower housing.
4. Carefully place the blower unit on a stable, flat dry surface. Lock the wheels to secure the unit for 450 and 460 models.
5. Plug power cord into a grounded GFCI outlet.
6. Turn the switch to desired speed and make sure unit operates normally.
7. Close supervision is necessary when the unit is used near children. Do not allow children to play with or around the unit.

▪

Safety Instructions

WARNING: IMPORTANT SAFETY PRECAUTIONS! PLEASE READ COMPLETELY BEFORE USING PRODUCT!

When using electrical appliances, basic safety precautions should always be followed to reduce the risk of fire, electric shock, and personal injury, including, but not limited to the following:

1. To prevent electric shock, do not operate the unit in standing water. Never plug in or unplug the unit with wet hands or while standing in water.
2. To avoid risk of injury, do not direct air flow at face or body.
3. Avoid sands, small rocks and other small objects being sucked into the Blower.
4. To reduce the risk of fire or electric shock, do not use unit with any solid-state speed control device.
5. While the Blower is used outdoors, use only with GFCI protected receptacles. Please contact a qualified electrician for verification and / or installation of a GFCI receptacle if necessary.
6. Indoor use: To reduce the risk of electric shock, do not expose to water. Use only with grounded plug.
7. Do not operate any Advertising Inflatable Blower with a damaged cord or plug. If the power cord is damaged, it must be replaced by the manufacturer or its service agent or a similarly qualified person.
8. Unplug the Advertising Inflatable Blower from the power supply before servicing or cleaning.
9. This product is not a toy and should only be used for its intended purpose. To reduce the risk of injury, close supervision is necessary when the unit is used near children . Do not allow children to play with or around the unit.
10. Do not move or carry the Advertising Inflatable Blower while unit is operating.

Maintenance Instructions

1. To keep the unit clean, use a damp cloth to wipe the surface of the housing.
2. Never clean the Advertising Inflatable Blower with water.
3. When not in use, unplug and store the Advertising Inflatable Blower in a dry indoor place.
4. Always disconnect the Advertising Inflatable Blower from its power source before performing any maintenance or cleaning.

Troubleshooting

For any problems not listed below, call your local distributor or contact our Service Department.

Problem	Possible Cause	Solution
Motor Not Running	a) Switch is OFF	Turn switch ON
	b) Faulty switch/cord	Replace switch or cord
Scraping Noise From Inflatable Blower	a) Check for obstruction entering through the intake or exhaust	Remove obstruction
	b) Check for any pressure against blower housing	Remove any pressure
Weak Air Flow	a) Obstructed vents/inlets	Clean out vents/inlets

Specifications

Model	BR-430	BR-430L	BR-450	BR-450L	BR-460	BR-460L
Volt / Frequency	115 V / 60 Hz					
Housing	PP / Injection Mold					
Overheating Protection	Dual Thermally Protected					
Power	1/3 HP			1 HP		
Amp	4.2 Amps			8.3 Amps		
Rated Airflow	2800 CFM			5800 CFM		
Speeds	One			Two		
Pull Strap & Wheels	N/A			Incl.		
SDSK	41.7 (3 x 13.9) inch			59.1 (3 x 19.7) inch		
Cord Length	15 Ft.				25 Ft.	
Safety Certificates	N/A				ETL / C-ETL	
LED Lights	N/A	Incl.	N/A	Incl.	N/A	Incl.
Weight (unit/package)	15/17.1 Lbs	16.3/18.4 Lbs	29/32.2 Lbs	30.6/34.1 Lbs	32.2/36.8 Lbs	34/38.4 Lbs
Size (H x W x D) inch	14.8x14.8x13.1	14.8x14.8x16.2	19x19.7x17.7	19x19.7x19.1	19x19.7x17.7	19x19.7x19.1

XPOWER Limited Warranty (USA)

XPOWER's Limited Warranty covers the unit (excludes POWER CORD) from defects in material and craftsmanship. The Warranty covers normal use for a term of one year from the original date of purchase including parts, labor, and one way shipping. Non-contiguous states must pay for roundtrip freight. A purchase receipt must be provided.

Important!

This warranty does not cover or apply to defects due directly or indirectly to misuse, abuse, disassembly, alteration, corrosive chemicals, improper voltage, fire, flood, negligence, accident, improperly or incorrectly performed maintenance or repair, or failure to perform necessary maintenance or repair, or if the use of this product is not in compliance with the instructions and specifications for its use

Service

For Warranty service and parts replacement (US users only), you must:

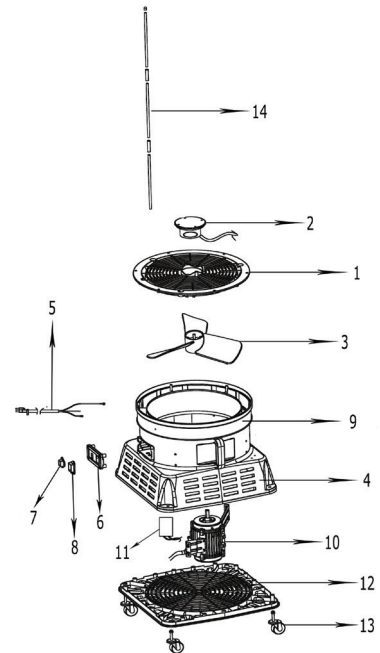
- A. Call 1-855-855-8868 for a RMA (Return-Merchandise-Authorization) number.
- B. Have original proof of purchase.
- C. Use the original undamaged packaging or an industrial certified packaging method.

End user will be responsible for shipping the unit (with RMA Number showing on the shipping label) to the XPOWER Service Department. XPOWER will inspect, assess and advise the repairs needed and the applicable cost, if any.

For users outside the US, please contact an XPOWER Distributor in your country or region for Warranty service and parts replacement.

Parts List

Item No.	Parts Name
1	Upper cover
2	LED light ("L" model)
3	Fan
4	Housing
5	Power cord
6	Switch plate
7	LED switch ("L" model)
8	Speed switch
9	Velcro strap (male)
10	Motor
11	Capacitor
12	Base
13	Wheels
14	Support Rod (SDSK)



** Actual parts are not limited on this list, contact XPOWER for ordering parts.

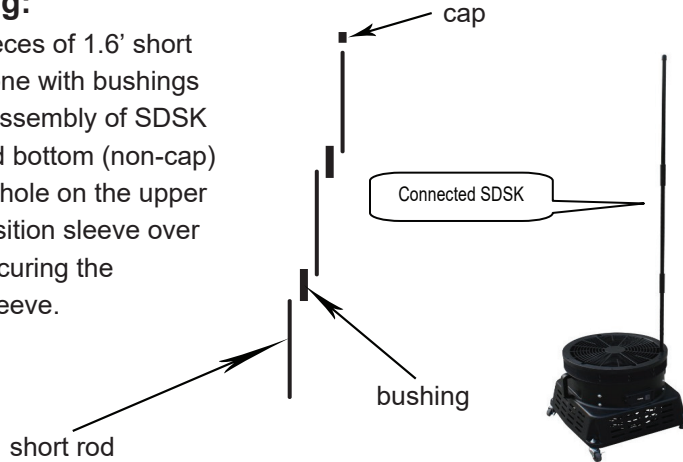
Accessories

SDSK (Support Rod for Vertical Advertisement Blower)

A Support Rod (SDSK) is included with unit to stabilize the vertical advertising inflatable. The support rod use is optional. However, it is strongly recommended to use the SDSK for large and tall advertising inflatable. The support rod improves vertical stability and prevents complete inflatable collapse.

Assembling:

Connect 3 pieces of 1.6' short rods one by one with bushings to complete assembly of SDSK rod. Insert rod bottom (non-cap) into provided hole on the upper cover and position sleeve over rod before securing the advertising sleeve.



Warranty Registration (for US user only)

For your product warranty, please complete and mail / fax this form to XPOWER MANUFACTURE, INC.

Address: 668 S. 6th Ave., City of Industry, CA 91746, USA Tel: 626-285-3301 Fax: 626-285-3302

(For your convenience, register your product online at xpower.com)

Company Name / Contact Person / Title _____

Address _____ City _____

State / Province _____ Zip _____ Country _____

Phone _____ Fax _____ E-mail _____

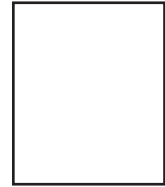
Model # _____ **Serial #:** _____

Date of Purchase ____/____/____ **Purchased From** _____

Additional Comments / Suggestions _____



From: _____



To:
XPOWER Manufacture, Inc.
668 S. 6th Ave.,
City of Industry, CA 91746, USA
Tel: 626-285-3301, Fax: 626-285-3302



PLEASE READ AND SAVE THESE INSTRUCTIONS



**VERTICAL ADVERTISEMENT BLOWER
OWNER'S MANUAL**

BR-430, BR-450, BR-460,
BR-430L, BR-450L, BR-460L

XPOWER MANUFACTURE, INC.
668 S. 6th Ave.,
City of Industry, CA 91746, USA
Tel: 626-285-3301, Fax: 626-285-3302
www.xpower.com



Introduction

XPOWER BR-430(L), BR-450(L) and BR-460(L) series blowers are designed for vertical advertisement inflatables. The model BR-460(L) is ETL/CETL certified.

Features:

- Low power draw with an high velocity air flow up to 5800 CFM
- Super compact and lightweight motor design
- Easy carry with 2 built-in handles
- Power cord lengths are 15' for 430 and 450 models, and 25' for 460 models
- Easy Cord wrap
- 4 lockable wheels on a unitary roller base for 450 and 460 models
- 2-speed switch for 450 and 460 models.
- Durable and rugged housing with 1 year warranty
- The Models with "L" provide sleeve advertising illumination with energy-saving LED lights
- Outtake attached with Velcro (male) strap
- Nylon pull cord for mobility for 450 and 460 models

Index

Introduction	2
Operation / Instructions.....	3
Safety Instructions.....	4
Maintenance Instructions / Troubleshooting.....	5
Specifications.....	6
Warranty / Service	7
Parts List	8
Accessories	9
Warranty Registration Form	10

- 1 -

Operation / Instructions

XPOWER Vertical Advertisement Blowers are used to inflate advertising sleeve units. Durable and easy to operate with an effective balance of static pressure and airflow. The units are suitable for a variety of advertising applications with or without high intensity, internal sleeve illumination.

1. XPOWER Vertical Advertisement Blowers are shipped ready-to-use. Before plugging the unit into the power source, inspect completely for any shipping damage.
2. A support rod (SDSK) is designed to stabilize the vertical inflatable advertisement. Especially for large inflatable, the SDSK can help to balance inflatable. See page 9 for assembly.
3. Snugly attach the inflatable advertisement around the Velcro strap on the blower housing.
4. Carefully place the blower unit on a stable, flat dry surface. Lock the wheels to secure the unit for 450 and 460 models.
5. Plug power cord into a grounded GFCI outlet.
6. Turn the switch to desired speed and make sure unit operates normally.
7. Close supervision is necessary when the unit is used near children. Do not allow children to play with or around the unit.

▪

- 3 -

Safety Instructions

WARNING: IMPORTANT SAFETY PRECAUTIONS! PLEASE READ COMPLETELY BEFORE USING PRODUCT!

When using electrical appliances, basic safety precautions should always be followed to reduce the risk of fire, electric shock, and personal injury, including, but not limited to the following:

1. To prevent electric shock, do not operate the unit in standing water. Never plug in or unplug the unit with wet hands or while standing in water.
2. To avoid risk of injury, do not direct air flow at face or body.
3. Avoid sands, small rocks and other small objects being sucked into the Blower.
4. To reduce the risk of fire or electric shock, do not use unit with any solid-state speed control device.
5. While the Blower is used outdoors, use only with GFCI protected receptacles. Please contact a qualified electrician for verification and / or installation of a GFCI receptacle if necessary.
6. Indoor use: To reduce the risk of electric shock, do not expose to water. Use only with grounded plug.
7. Do not operate any Advertising Inflatable Blower with a damaged cord or plug. If the power cord is damaged, it must be replaced by the manufacturer or its service agent or a similarly qualified person.
8. Unplug the Advertising Inflatable Blower from the power supply before servicing or cleaning.
9. This product is not a toy and should only be used for its intended purpose. To reduce the risk of injury, close supervision is necessary when the unit is used near children . Do not allow children to play with or around the unit.
10. Do not move or carry the Advertising Inflatable Blower while unit is operating.

- 4 -

Specifications

Model	BR-430	BR-430L	BR-450	BR-450L	BR-460	BR-460L
Volt / Frequency	115 V / 60 Hz					
Housing	PP / Injection Mold					
Overheating Protection	Dual Thermally Protected					
Power	1/3 HP		1 HP			
Amp	4.2 Amps		8.3 Amps			
Rated Airflow	2800 CFM		5800 CFM			
Speeds	One		Two			
Pull Strap & Wheels	N/A		Incl.			
SDSK	41.7 (3 x 13.9) inch		59.1 (3 x 19.7) inch			
Cord Length	15 Ft.				25 Ft.	
Safety Certificates	N/A				ETL / C-ETL	
LED Lights	N/A	Incl.	N/A	Incl.	N/A	Incl.
Weight (unit/package)	15/17.1 Lbs	16.3/18.4 Lbs	29/32.2 Lbs	30.6/34.1 Lbs	32.2/36.8 Lbs	34/38.4 Lbs
Size (H x W x D) inch	14.8x14.8x13.1	14.8x14.8x16.2	19x19.7x17.7	19x19.7x19.1	19x19.7x17.7	19x19.7x19.1

- 6 -

Maintenance Instructions

1. To keep the unit clean, use a damp cloth to wipe the surface of the housing.
2. Never clean the Advertising Inflatable Blower with water.
3. When not in use, unplug and store the Advertising Inflatable Blower in a dry indoor place.
4. Always disconnect the Advertising Inflatable Blower from its power source before performing any maintenance or cleaning.

Troubleshooting

For any problems not listed below, call your local distributor or contact our Service Department.

Problem	Possible Cause	Solution
Motor Not Running	a) Switch is OFF	Turn switch ON
	b) Faulty switch/cord	Replace switch or cord
Scraping Noise From Inflatable Blower	a) Check for obstruction entering through the intake or exhaust	Remove obstruction
	b) Check for any pressure against blower housing	Remove any pressure
Weak Air Flow	a) Obstructed vents/inlets	Clean out vents/inlets

- 5 -

XPOWER Limited Warranty (USA)

XPOWER's Limited Warranty covers the unit (excludes POWER CORD) from defects in material and craftsmanship. The Warranty covers normal use for a term of one year from the original date of purchase including parts, labor, and one way shipping. Non-contiguous states must pay for roundtrip freight. A purchase receipt must be provided.

Important!

This warranty does not cover or apply to defects due directly or indirectly to misuse, abuse, disassembly, alteration, corrosive chemicals, improper voltage, fire, flood, negligence, accident, improperly or incorrectly performed maintenance or repair, or failure to perform necessary maintenance or repair, or if the use of this product is not in compliance with the instructions and specifications for its use

Service

For Warranty service and parts replacement (US users only), you must:

- A. Call 1-855-855-8868 for a RMA (Return-Merchandise-Authorization) number.
- B. Have original proof of purchase.
- C. Use the original undamaged packaging or an industrial certified packaging method.

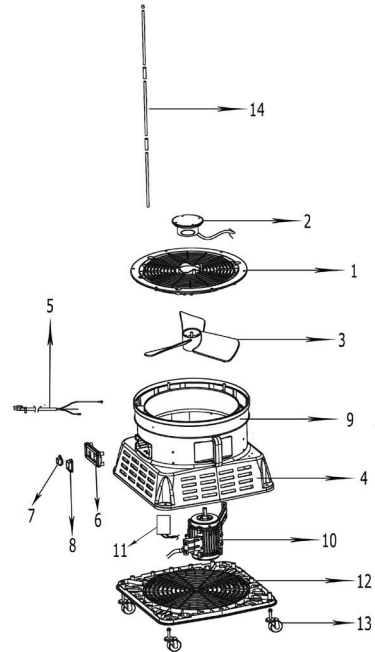
End user will be responsible for shipping the unit (with RMA Number showing on the shipping label) to the XPOWER Service Department. XPOWER will inspect, assess and advise the repairs needed and the applicable cost, if any.

For users outside the US, please contact an XPOWER Distributor in your country or region for Warranty service and parts replacement.

- 7 -

Parts List

Item No.	Parts Name
1	Upper cover
2	LED light ("L" model)
3	Fan
4	Housing
5	Power cord
6	Switch plate
7	LED switch ("L" model)
8	Speed switch
9	Velcro strap (male)
10	Motor
11	Capacitor
12	Base
13	Wheels
14	Support Rod (SDSK)



** Actual parts are not limited on this list, contact XPOWER for ordering parts.

Warranty Registration (for US user only)

For your product warranty, please complete and mail / fax this form to XPOWER MANUFACTURE, INC.
 Address: 668 S. 6th Ave., City of Industry, CA 91746, USA Tel: 626-285-3301 Fax: 626-285-3302
 (For your convenience, register your product online at xpower.com)

Company Name / Contact Person / Title _____	
Address _____	City _____
State / Province _____	Zip _____ Country _____
Phone _____	Fax _____ E-mail _____
Model # _____	Serial #: _____
Date of Purchase ____/____/____	Purchased From _____
Additional Comments / Suggestions _____	



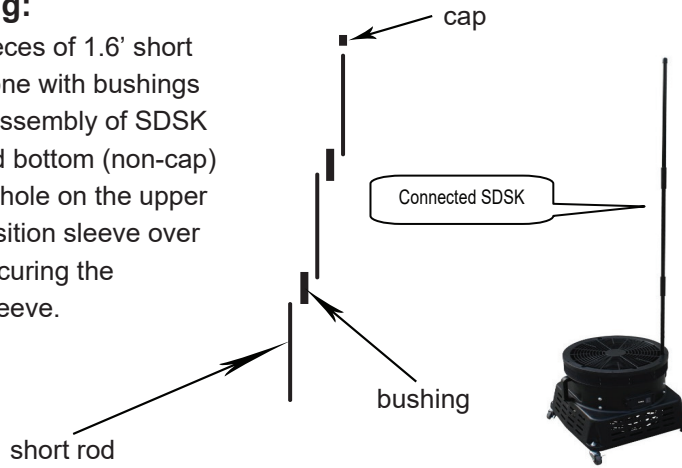
Accessories

SDSK (Support Rod for Vertical Advertisement Blower)

A Support Rod (SDSK) is included with unit to stabilize the vertical advertising inflatable. The support rod use is optional. However, it is strongly recommended to use the SDSK for large and tall advertising inflatable. The support rod improves vertical stability and prevents complete inflatable collapse.

Assembling:

Connect 3 pieces of 1.6' short rods one by one with bushings to complete assembly of SDSK rod. Insert rod bottom (non-cap) into provided hole on the upper cover and position sleeve over rod before securing the advertising sleeve.



- 9 -

From: _____

To:
XPOWER Manufacture, Inc.
668 S. 6th Ave.,
City of Industry, CA 91746, USA
Tel: 626-285-3301, Fax: 626-285-3302

